



T-STEP

TELESTOPIC MULTI-POSITIONING STAY

2020 CATALOGUE

GASFEDERN – GAS SPRING – MOLLA A GAS



Discover
the potential

UNICERT
ISO 9001:2015



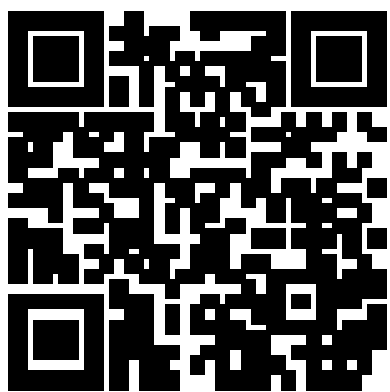
DISCOVER T-STEP

TELESCOPIC MULTI-POSITIONING STAY



T-STEP is a user friendly, easy to use telescopic positioning stay. TGS offers this stays in three versions (5 step, 6 step, 10 step) which presents to operate up to 135 KG applications. In order to open, extend the arm until it locks into the desired position. To close, fully extend T-STEP before returning it to the closed position.

DEMONSTRATION VIDEO



Scan for watch
video on youtube



T-STEP SERIES



5 STEP

MULTI-POSITIONING STAY

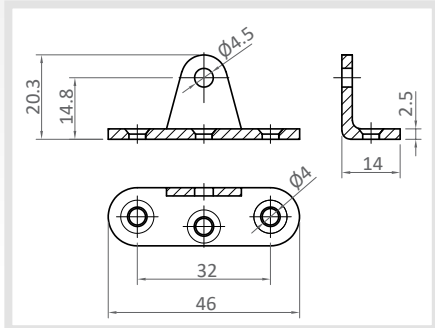
T-STEP is a user friendly, easy to use telescopic positioning stay. In order to open, extend the arm until it locks into the desired position. To close, fully extend T-STEP before returning it to the closed position.



OPTIONAL

+MOUNTING BRACKET
B12112

T-STEP MECHANISM
TS-10.05



Material

Free cutting steel DIN 1.0718

Material Thickness

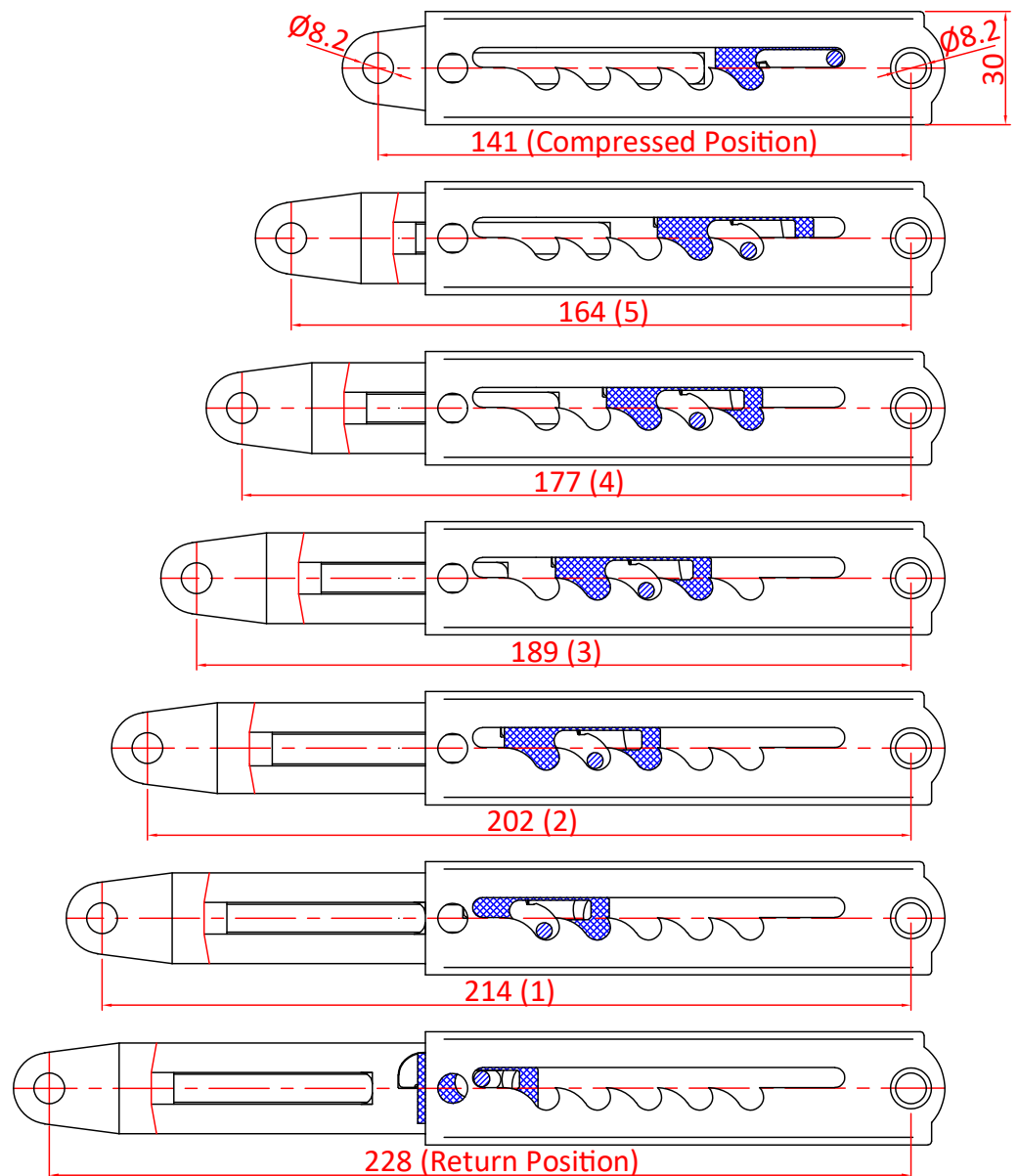
Arm: 3mm / Housing: 2mm

Surface Treatment

Zinc Plated

Weight

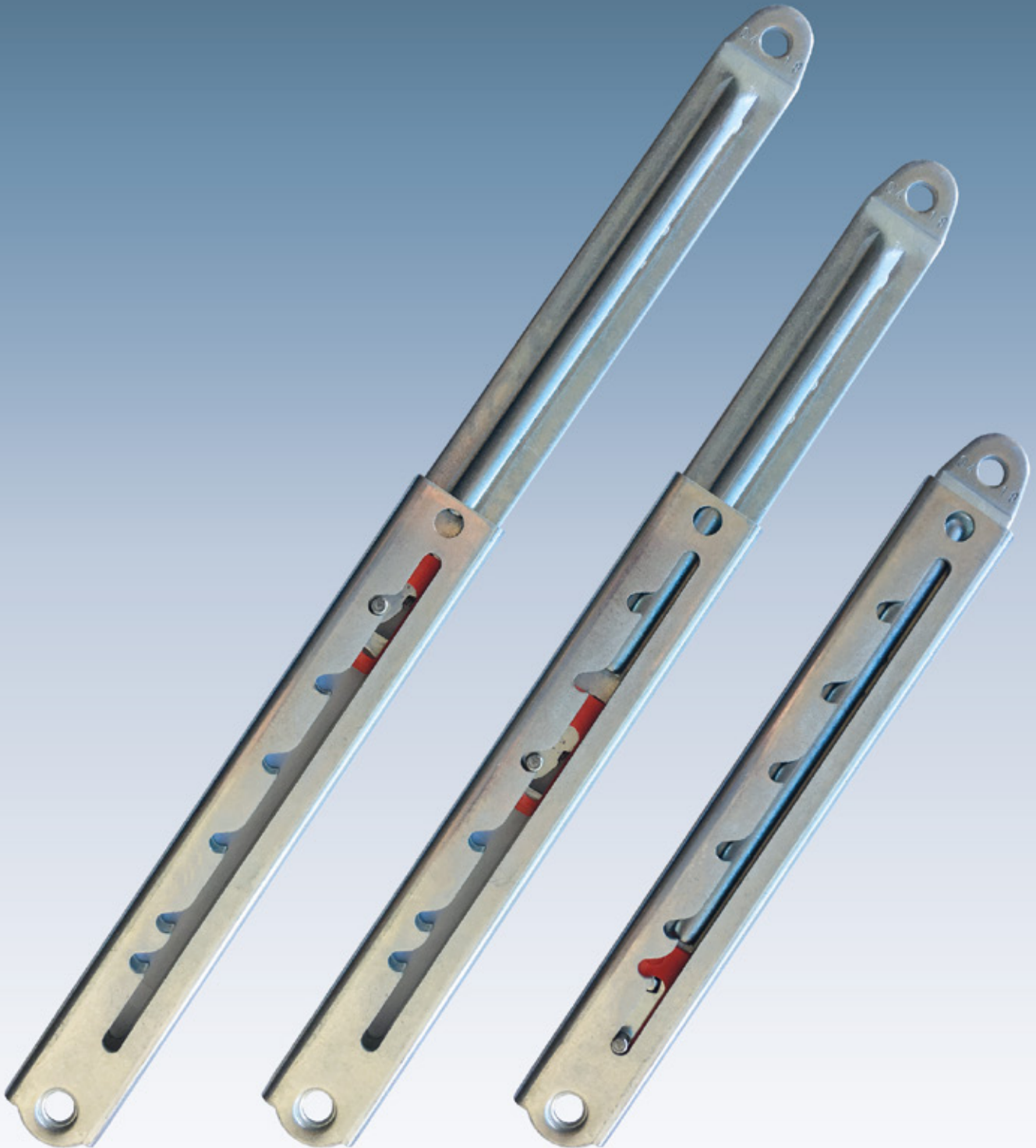
0.175 KG



6 STEP

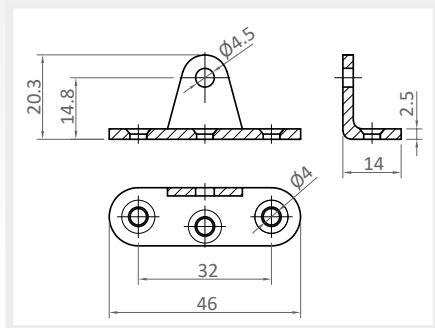
MULTI-POSITIONING STAY

T-STEP is a user friendly, easy to use telescopic positioning stay. In order to open, extend the arm until it locks into the desired position. To close, fully extend T-STEP before returning it to the closed position.



OPTIONAL

+MOUNTING BRACKET
B12112



T-STEP MECHANISM
TS-10.06

Material

Free cutting steel DIN 1.0718

Material Thickness

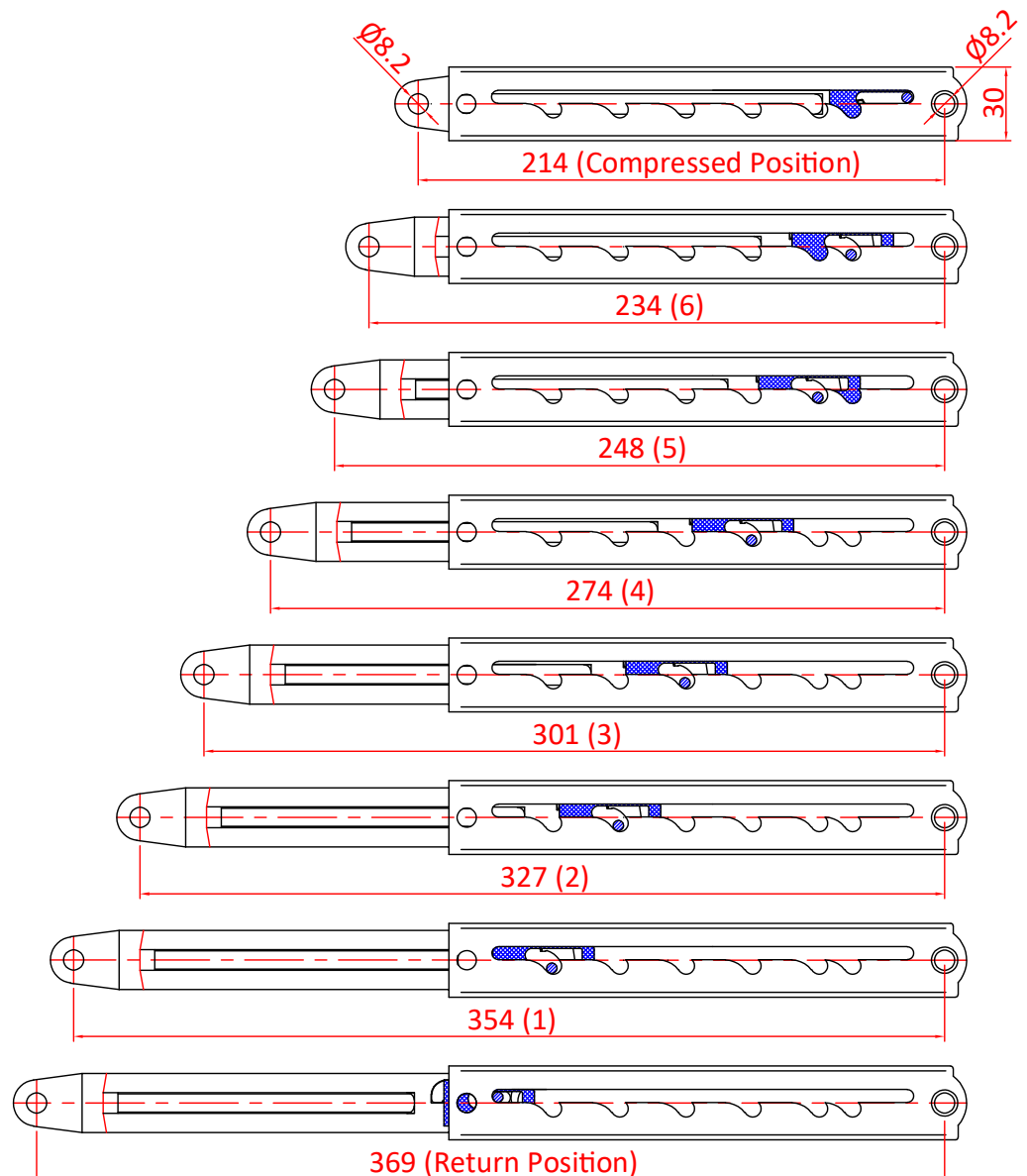
Arm: 3mm / Housing: 2mm

Surface Treatment

Zinc Plated

Weight

0.260 KG



10 STEP

MULTI-POSITIONING STAY

T-STEP is a user friendly, easy to use telescopic positioning stay. In order to open, extend the arm until it locks into the desired position. To close, fully extend T-STEP before returning it to the closed position.



T-STEP MECHANISM

TS-10.10

Material

Free cutting steel DIN 1.0718

Material Thickness

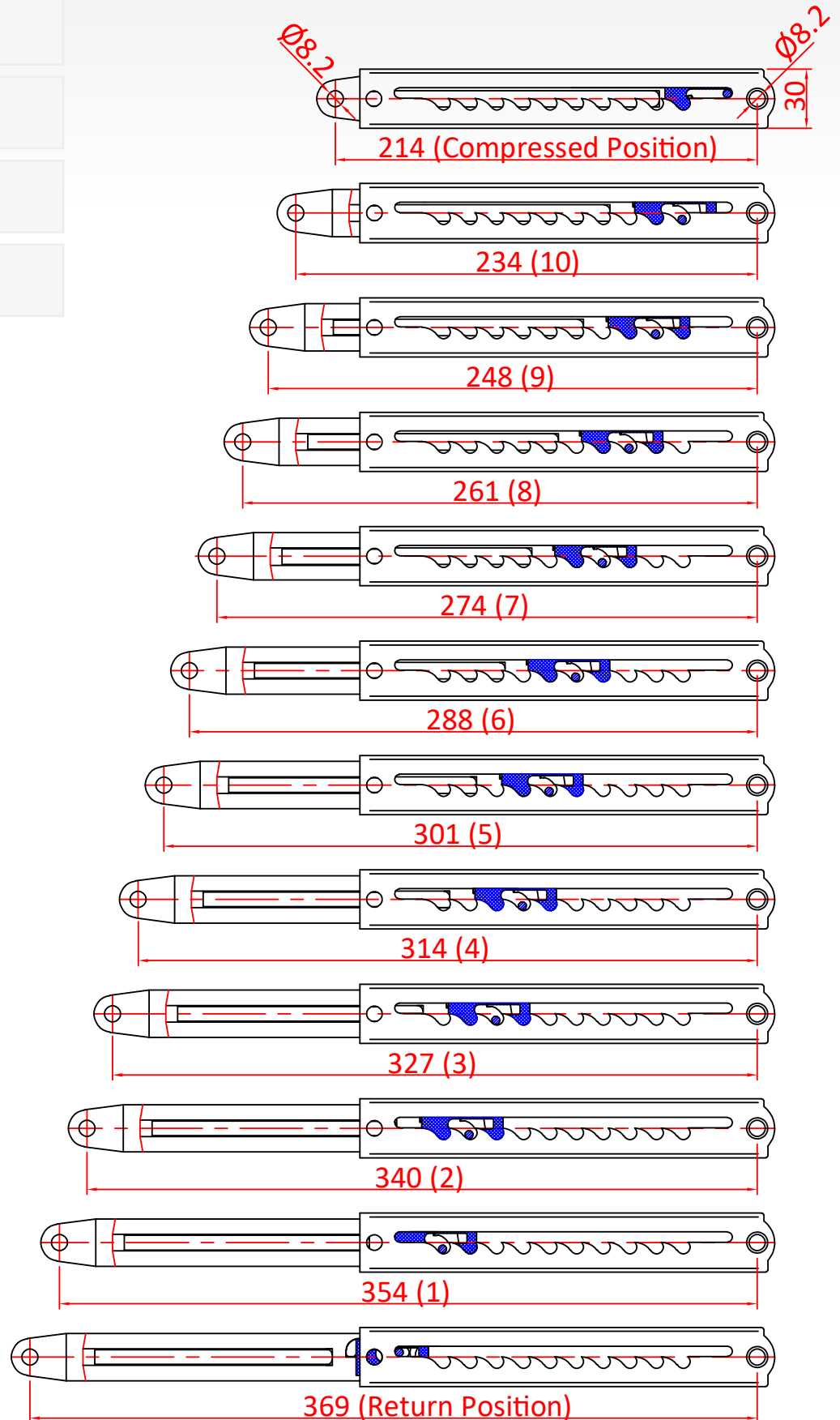
Arm: 3mm / Housing: 2mm

Surface Treatment

Zinc Plated

Weight

0.285 KG





"Feel Safe!"
www.tunalift.com



Bursa, Turkey



+90 224 211 44 73



info@tunalift.com



www.tunalift.com