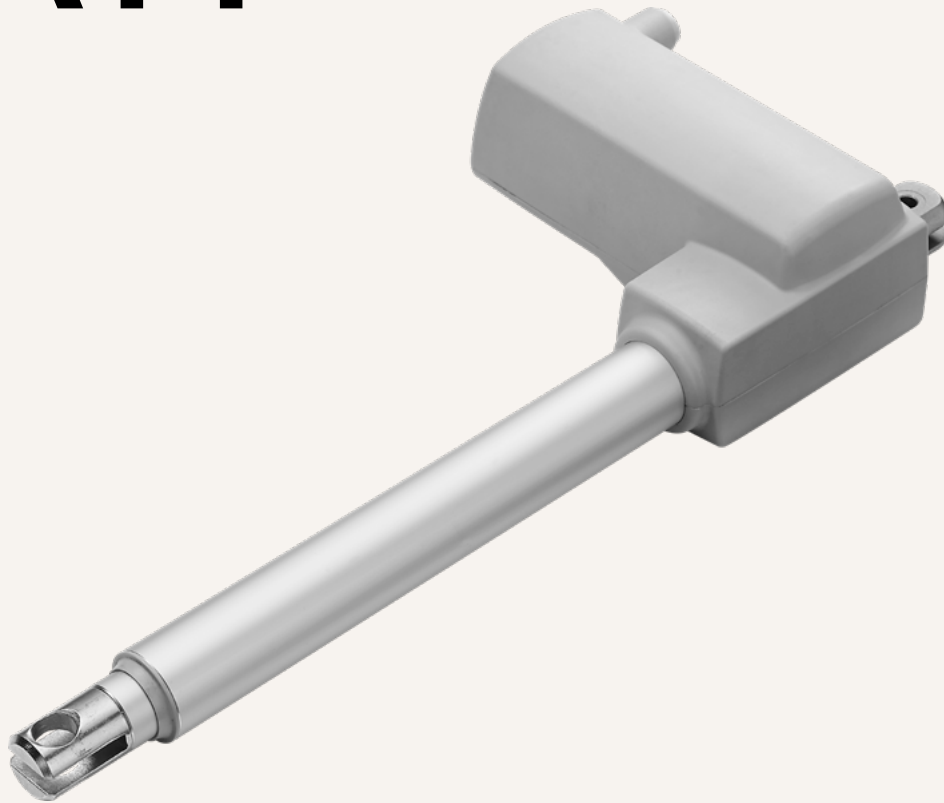


TA11

series



Product Segments

- **Care Motion**

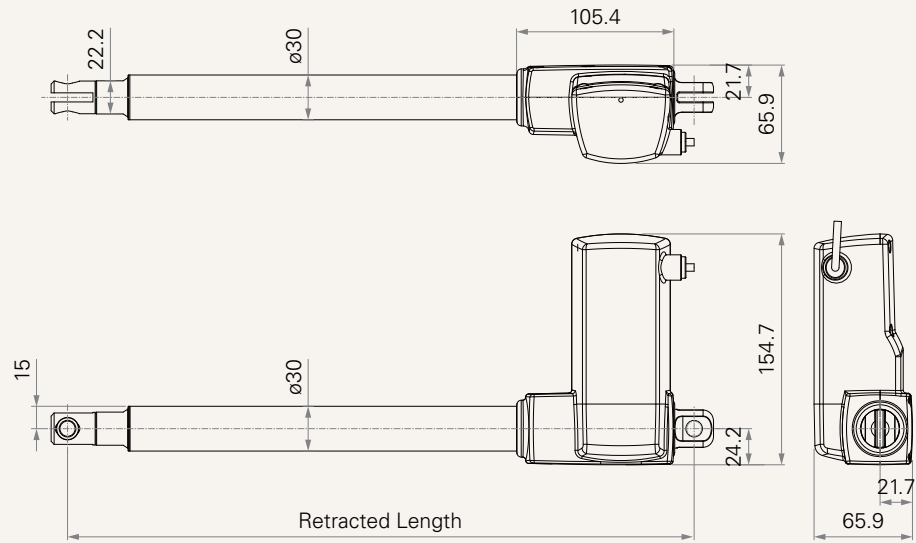
TiMOTION's TA11 series linear actuator is primarily used in the medical market. This actuator series is suitable for bathroom chair applications. Its compact design supports load ratings up to 1500N.

General Features

Voltage of motor	12V DC or 24V DC
Maximum load	1,500N in push/pull
Maximum speed at full load	10.5mm/s (with 1,500N in a push condition)
Minimum installation dimension	≥ Stroke + 155mm
Color	Grey
IP rating	Up to IP66D
Option	Hall sensor(s)

Drawing

Standard Dimensions
(mm)



Load and Speed

CODE	Rated Load		Self Locking N (PUSH)	Typical Current at Rated Load (A)	Typical Speed	
	PUSH N	PULL N			No Load (24V DC) mm/s	Rated Load (24V DC) mm/s
Motor Speed (5200RPM)						
A	1500	1500	1500	3.0	18.2	10.5

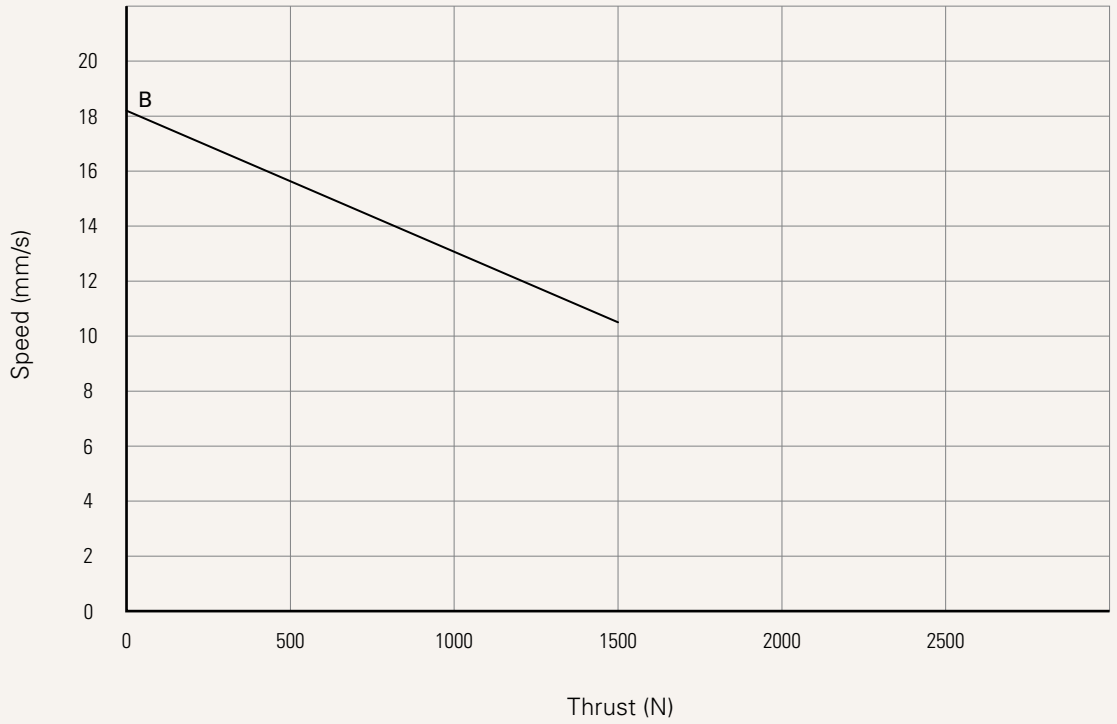
Note

- 1 The current & speed in table are tested when the actuator is extending under push load.
- 2 The current & speed in table are tested with 24V DC motor. With a 12V DC motor, the current is approximately twice the current measured in 24V DC; speed will be similar for both voltages.
- 3 The current & speed in table and diagram are tested with TiMOTION control boxes, and there will be around 10% tolerance depending on different models of the control box. (Under no load condition, the voltage is around 32V DC. At rated load, the voltage output will be around 24V DC)

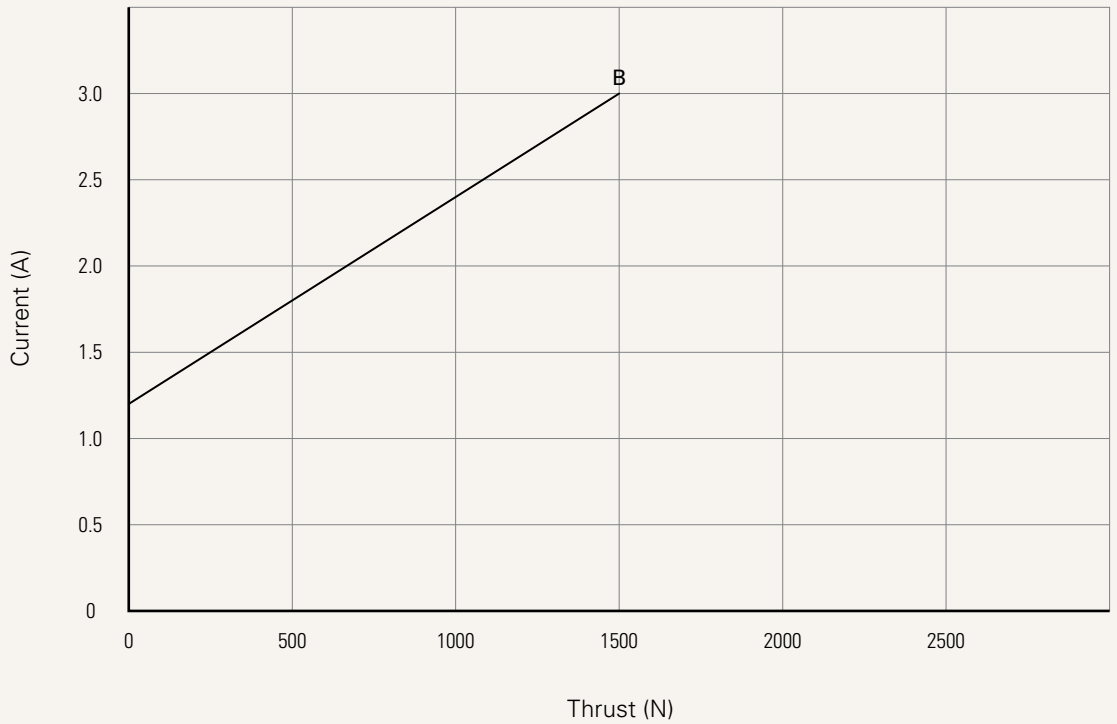
Performance Data

Motor Speed (5200RPM)

Speed vs. Thrust



Current vs. Thrust



Voltage	1 = 12V	2 = 24V		
Load and Speed	See page 2.			
Stroke (mm)				
Retracted Length (mm)	Stroke+155mm up Note : front attachment_#1			
Rear Attachment	1 = U casting clevis, slot 6mm, hole 6.4mm	2 = U casting clevis, slot 6mm, hole 8mm	3 = U casting clevis, slot 6mm, hole 10mm	
Front Attachment	1 = Casting, width 21.9mm, slot 6.1mm, hole 10.2mm			
Direction of Rear Attachment (Counterclockwise)	1 = 0°	3 = 90°		
Color	2 = Grey (Pantone 428C)			
IP Rating	3 = IP66	5 = IP66W	6 = IP66D	
Special Functions for Spindle Sub-assembly	0 = Without (standard)	1 = Safety nut		
Output signals	0 = Without	2 = Two Hall sensors		
Plug	1 = TiMOTION's standard DIN 6pin plug		2 = Tinned leads	
Cable Length	0 = Straight, 100mm	2 = Straight, 750mm	4 = Straight, 1250mm	6 = Straight, 2000mm
	1 = Straight, 500mm	3 = Straight, 1000mm	5 = Straight, 1500mm	7 = Coiled, 200mm
for Pull/Push Application	T = For push application		P = For pull application	

Terms of Use

The user is responsible for determining the suitability of TiMOTION products for a specific application. TiMOTION products are subject to change without prior notice.