

# TBB4

series



## Product Segments

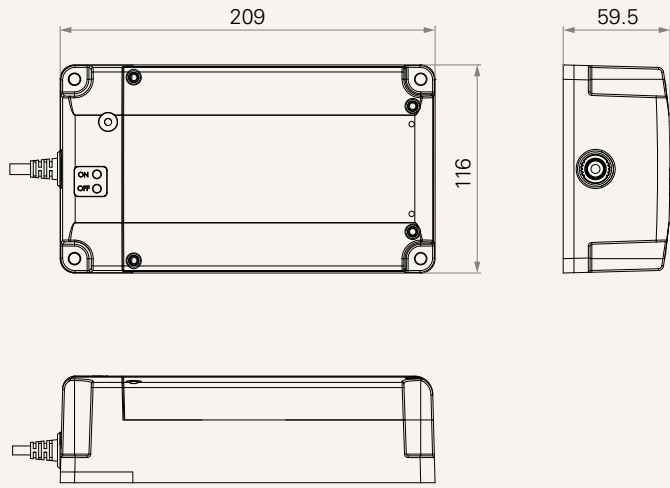
- **Care Motion**
- **Comfort Motion**

## General Features

Battery type	Lead acid
Capacity	2Ah
Input voltage	29~45V DC
Output voltage	24V DC, 2A
Color	Black or grey
IP rating	Up to IP66W
Certificate	IEC60601-1, ES60601-1
LED indication (for charge / discharge status)	
With on / off function, it's able to keep or stop discharging	

**Drawing**

Standard Dimensions  
(mm)



<b>Battery Capacity</b>	2 = 2.0Ah			
<b>Color</b>	1 = Black	2 = Grey (Pantone 428C)		
<b>Cable Length (mm)</b>	1 = Straight, 1000	2 = Straight, 2000		
<b>On / Off Switch</b>	1 = With			
<b>Buzzer</b>	0 = Without	1 = With		
<b>PCBA</b>	1 = General	2 = Power saving function		
<b>IP Rating</b>	1 = Without	2 = IP54	3 = IP66	4 = IP66W

### Terms of Use

The user is responsible for determining the suitability of TiMOTION products for a specific application. TiMOTION products are subject to change without prior notice.