

TBB7

series



Product Segments

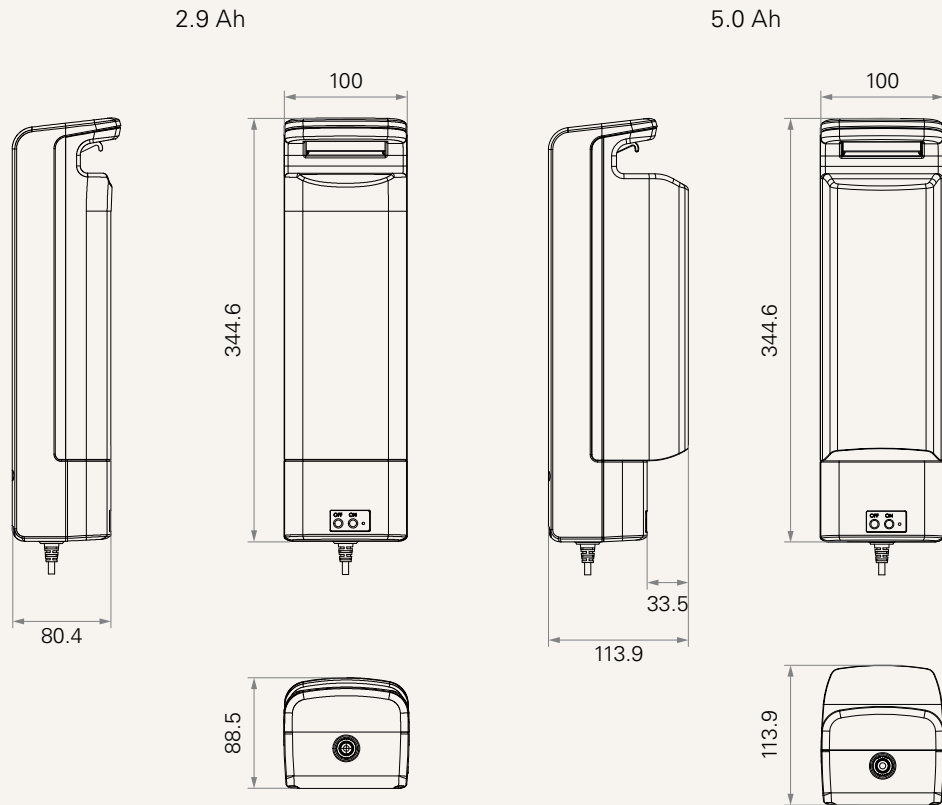
- **Care Motion**
- **Comfort Motion**
- **Industrial Motion**

General Features

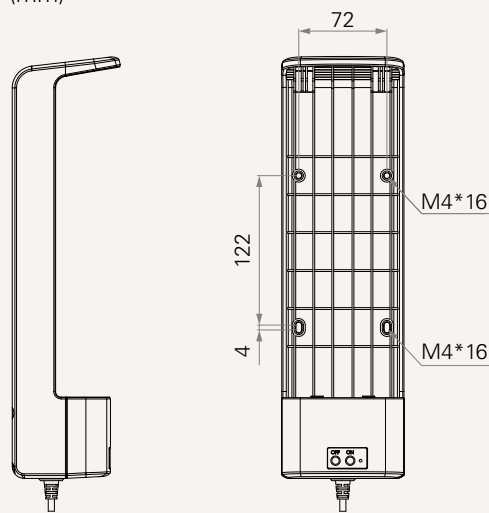
Battery type	Lead acid
Capacity	2.9 or 5Ah
Input voltage	29~45V DC
Output voltage	24V DC, 2.9/5A
Color	Grey
IP rating	Up to IP54
Certificate	IEC60601-1, ES60601-1
LED indication (for charge/discharge status)	
With built-in buzzer	
Low standby power consumption	
Detachable battery pack, battery capacity indicator	

Drawing

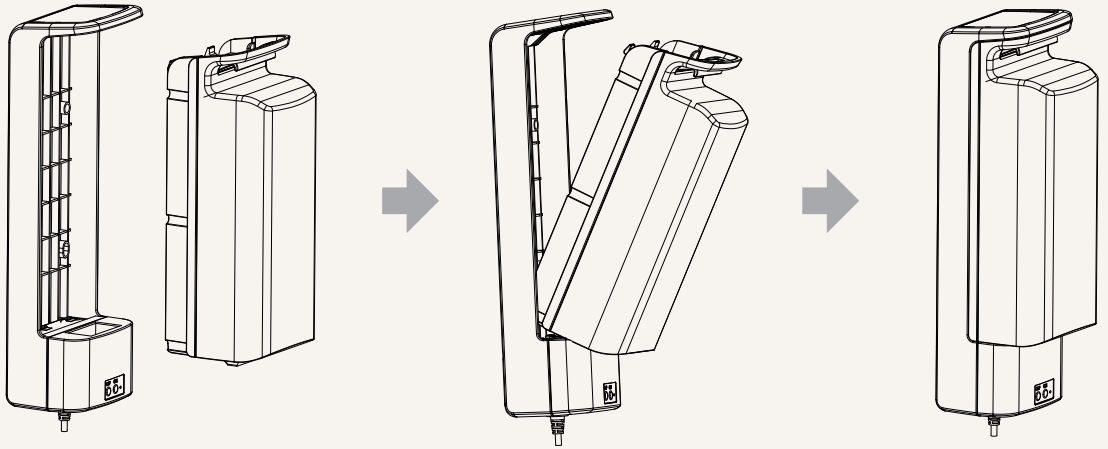
Standard Dimensions
(mm)



Dimensions with base
(mm)



Battery Installation



TBB7

Version: 20190619-D

Battery Capacity	0 = No battery cell 1 = 2.9Ah 2 = 5.0Ah	3 = 2.9Ah; battery capacity indicator 4 = 50Ah; battery capacity indicator
Color	2 = Grey (Pantone 428C)	
Cable Length (mm)	1 = Straight, 1000	2 = Straight, 2000
TBC2 Charging Port	1 = With	2 = Without
On / Off Switch	1 = With	
Buzzer	0 = Without	1 = With
IP Rating	1 = Without	2 = IP54

Terms of Use

The user is responsible for determining the suitability of TiMOTION products for a specific application. TiMOTION products are subject to change without prior notice.