

TC11P

series



Product Segments

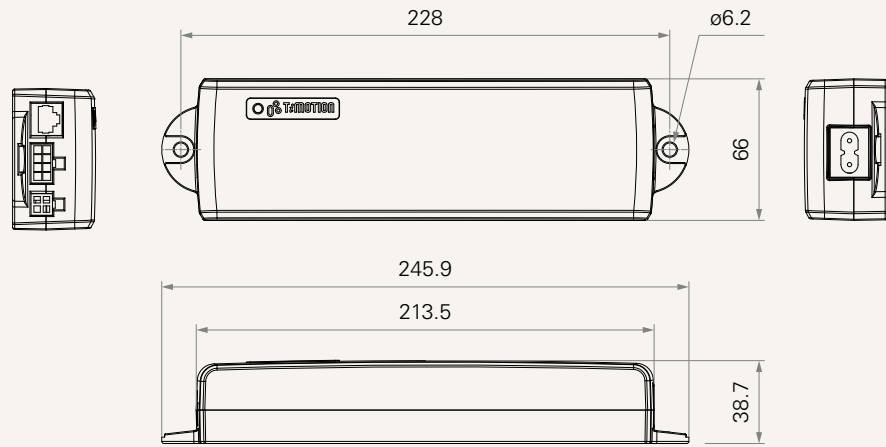
- **Comfort Motion**
- **Ergo Motion**

General Features

Built-in transformer type	SMPS
Maximum output	32V DC, 2.5A
Plug support	EU, USA, AUS, UK, JPN
Number of actuators	1
Color	Black
Certificate	UL508, PSE, SAA, EMC
0.1W standby power consumption	
Especially designed for adjustable height desk application	
Supports t-touch built-in, charging accessory and external battery	

Drawing

Standard Dimensions
(mm)



TC11P

Version: 20181016-A

Transformer	L = SPM-72Q (32V / 2.5A, 0.1W standby power, Quick start 100-240V)		
Plug	1 = EU 2 = US	3 = AU 4 = UK	5 = JP
Color	1 = Black		
Cable Length (mm)	1 = Straight, 1500	2 = Straight, 2000	3 = Straight, 4000
Control Board	2 = With MCU	4 = With MCU, with T-Touch	

Terms of Use

The user is responsible for determining the suitability of TiMOTION products for a specific application. TiMOTION products are subject to change without prior notice.