

TC12AC

series



Product Segments

- **Care Motion**
- **Industrial Motion**

The control box-TC12AC is an optimum solution to meet specific patient needs and to secure a safe and comfortable transfer as well as achieving a safe and efficient working environment for the caregivers. The TC12AC has AC cable which can connect supply mains directly.

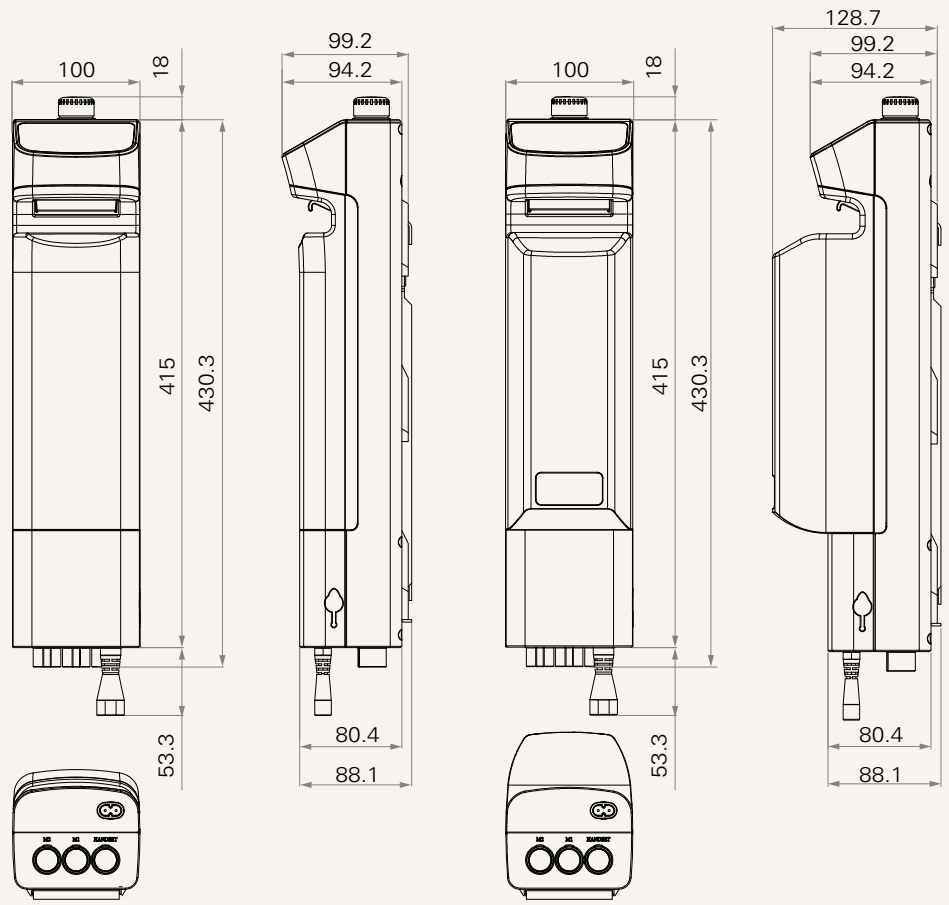
General Features

Detachable battery pack	2.9Ah or 5Ah
Number of actuators	1~3
IP rating	Up to IP54
Options	With LCD display, LED power indicator
Certificate	IEC60601-1, ES60601-1, IEC60601-1-2
Battery alarm when battery with lower capacity remaining	
Emergency stop button	
Easy installation	

TC12AC Series

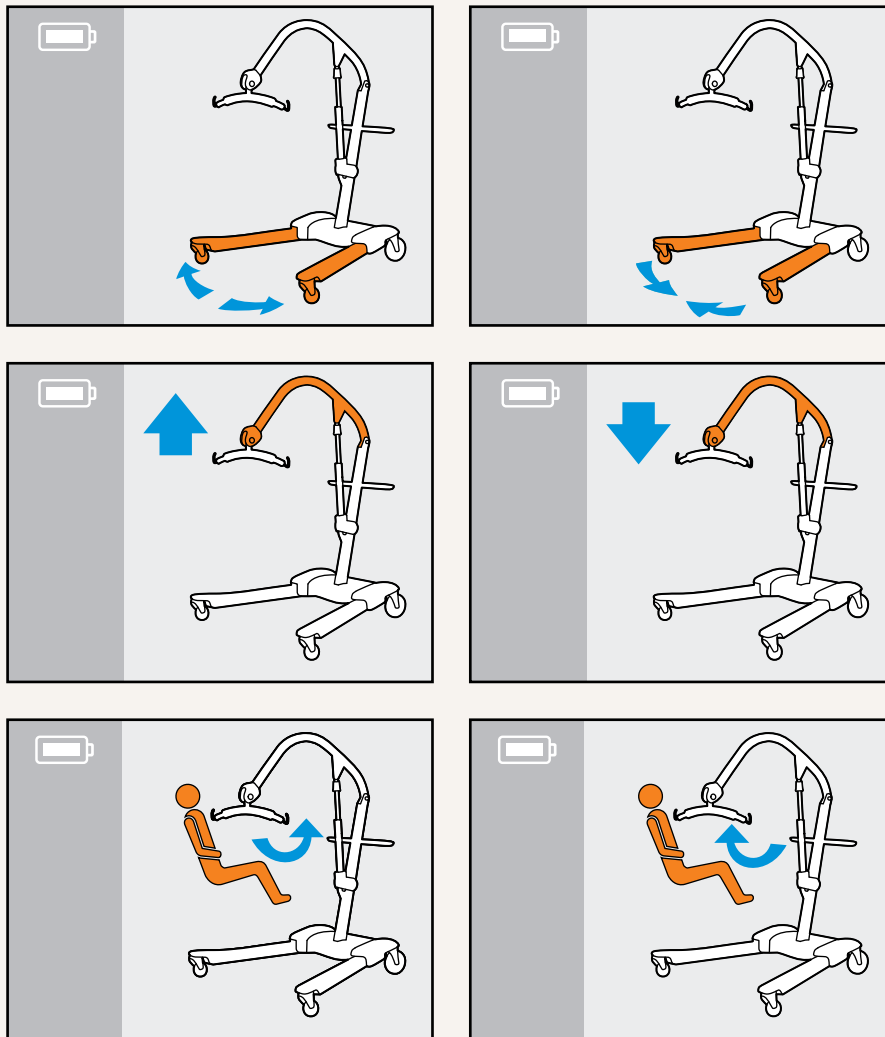
Drawing

Standard Dimensions
(mm)



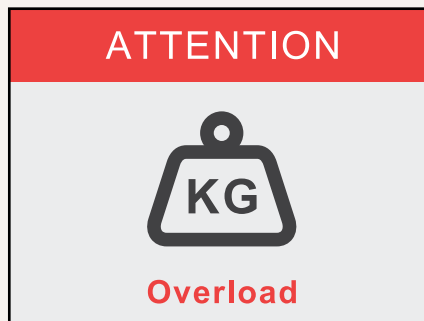
Operation Status

Control legs open / close and sling up / down

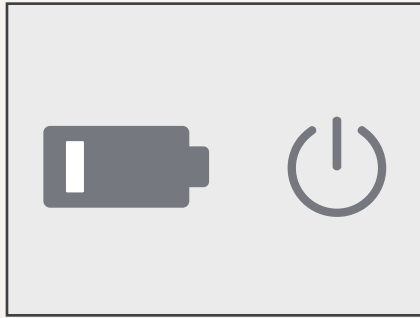
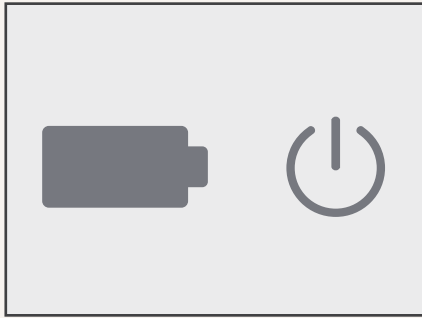


Notification

Alarm for low battery capacity, overloading, and safety switch to prevent over extending

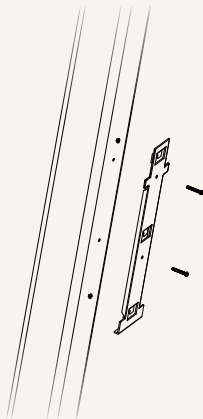


Battery Status

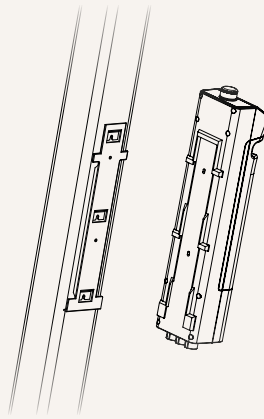


Installation Guide

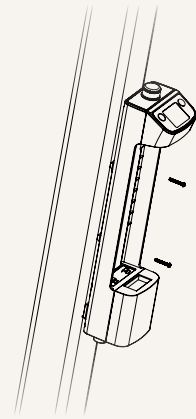
1. Install the bracket on the hoist frame



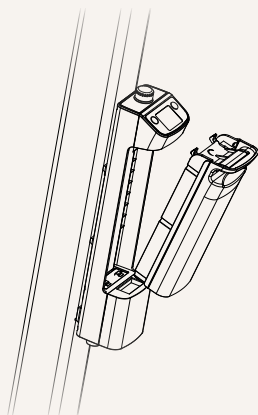
2. Install the TC12 on the bracket



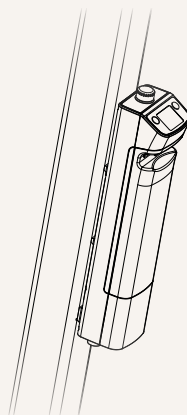
3. Make sure all fasteners are tightened properly



4. Install the battery



5. Installation is complete



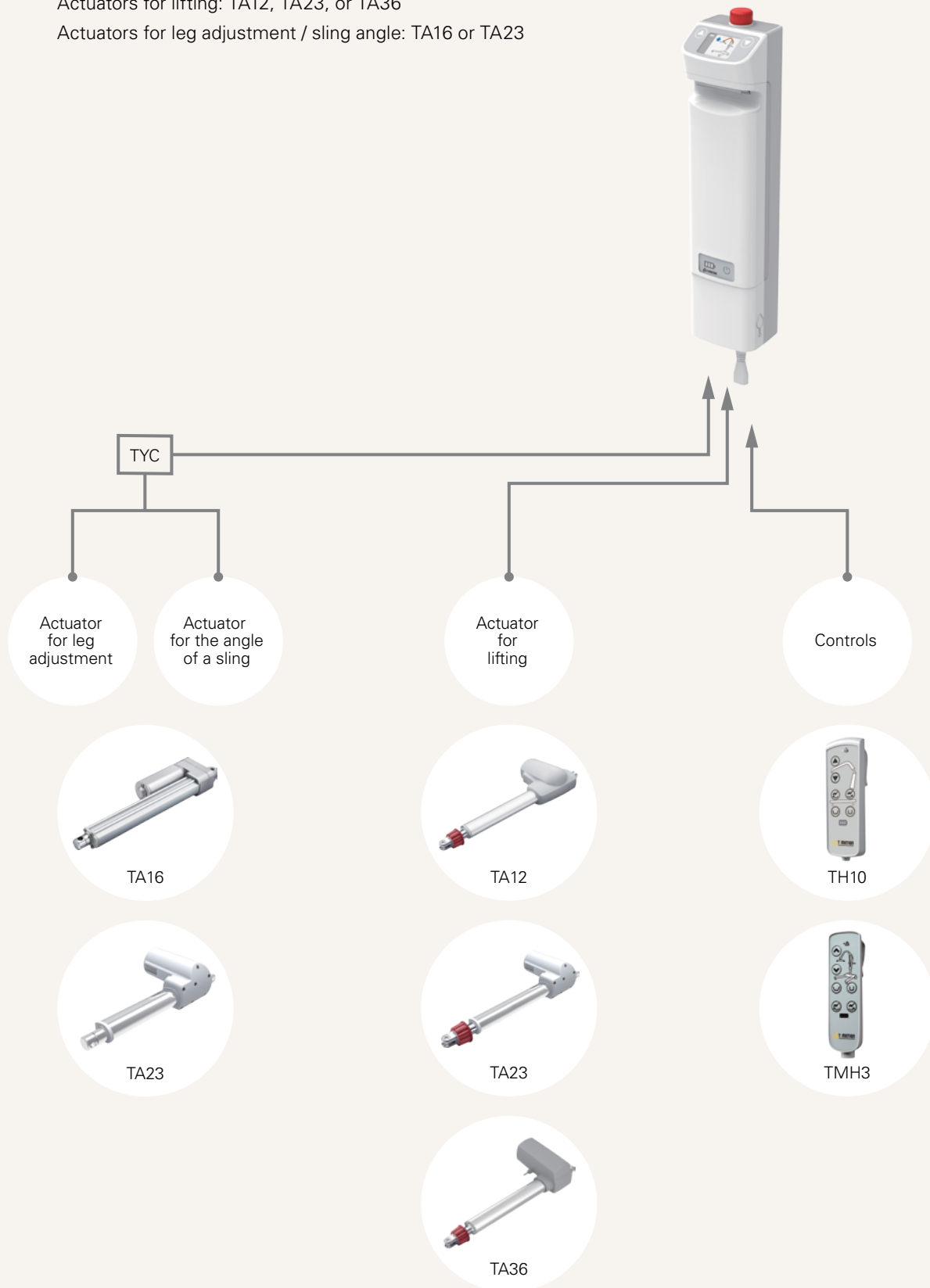
System Overview

Control box: TC12AC

Control: TH10 or TMH3

Actuators for lifting: TA12, TA23, or TA36

Actuators for leg adjustment / sling angle: TA16 or TA23



TC12AC

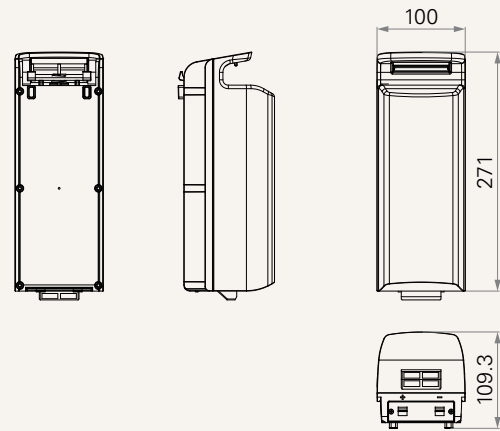
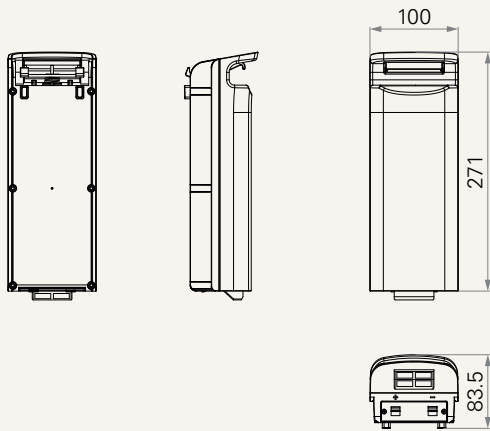
Version: 20190423-C

MCU	1 = With			
Voltage	U = SMPS, 100-240V AC			
Battery Pack See page 7	0 = Without	3 = 24V DC / 2.9Ah + LED power indicator		
	1 = 24V DC / 2.9Ah	4 = 24V DC / 5.0Ah + LED power indicator		
	2 = 24V DC / 5.0Ah			
Number of Actuators	1 = 1	2 = 2	3 = 3	
Color	1 = Standard (Upper housing: light grey 1C; Lower Housing: cold grey 5C)			
Digital Display	1 = Black / white	3 = Without display		
Buzzer	0 = Without	1 = With		
Control Panel	0 = Without button	4 = 4 buttons		
	2 = 2 buttons	5 = 4 buttons + LED power indicator		
	3 = 2 buttons + LED power indicator			
IP Rating	1 = Without	2 = IP54		
Grounding	0 = Without			
AC plug	1 = EU	3 = AU	5 = JP	
	2 = US	4 = UK		
Angle of AC Plug	1 = 90°	2 = 180°		
AC Cable Length (mm)	0 = Without	1 = Straight, 1000	2 = Straight, 2000	3 = Straight, 3000
AC Cable Manager	0 = Without			

Battery Pack

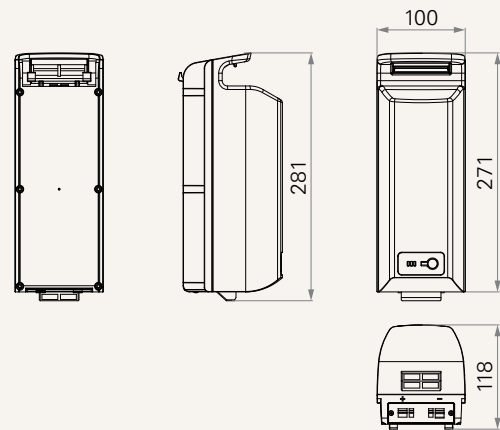
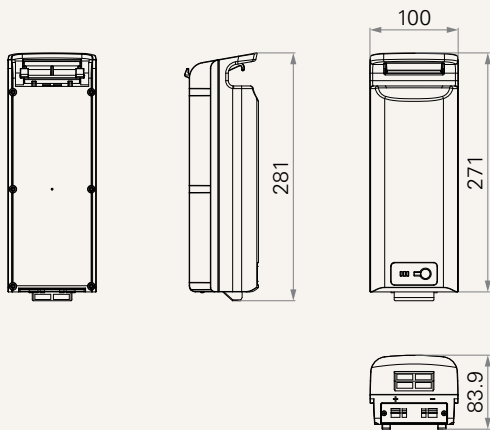
1 = 24V DC / 2.9Ah

2 = 24V DC / 5.0Ah



3 = 24V DC / 2.9Ah + LED power indicator

4 = 24V DC / 5.0Ah + LED power indicator



Terms of Use

The user is responsible for determining the suitability of TiMOTION products for a specific application. TiMOTION products are subject to change without prior notice.