

TC17

series



Product Segments

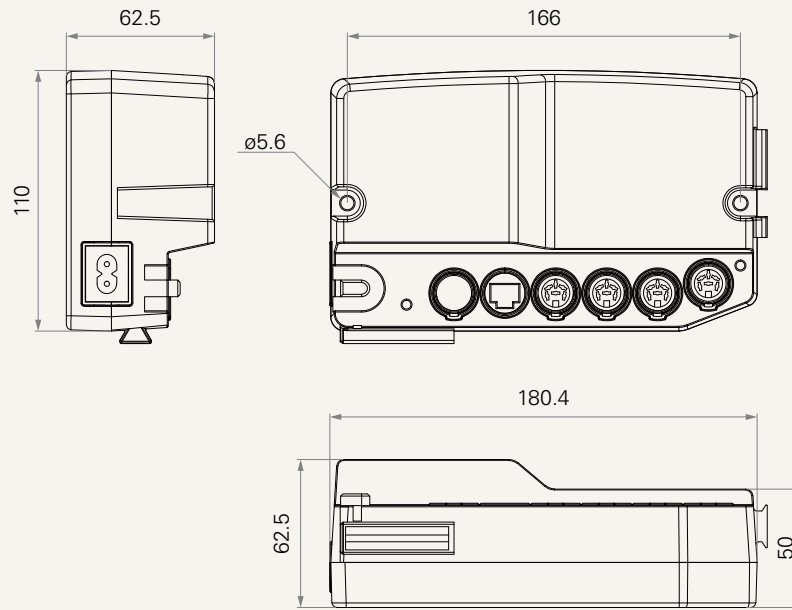
- **Care Motion**

General Features

Built-in transformer type	EI, SMPS
Maximum output	29V DC, 2A
Plug support	EU, USA, AUS, UK, or JPN
Number of actuators	1~4
Color	Black or grey
Certificate	LVD, EMC

Drawing

Standard Dimensions
(mm)



Input Voltage	1 = 100V AC	2 = 120V AC	3 = 230V AC	4 = 100~240V AC
AC Plug	1 = EU 2 = US	3 = AU 4 = UK	5 = JP	
Number of Actuators	1 = 1	2 = 2	3 = 3	4 = 4
Color	1 = Black	2 = Gray (Pantone 428C)		
AC Cable Length (mm)	0 = Without	1 = Straight, 2000	2 = Straight, 4000	
IP Rating	1 = Without			
Attachment	2 = Mounting holes for screw	3 = On the actuator (TA7)	6 = On the actuator (TA23 / TA31)	

Terms of Use

The user is responsible for determining the suitability of TiMOTION products for a specific application. TiMOTION products are subject to change without prior notice.