

TC3

series



Product Segments

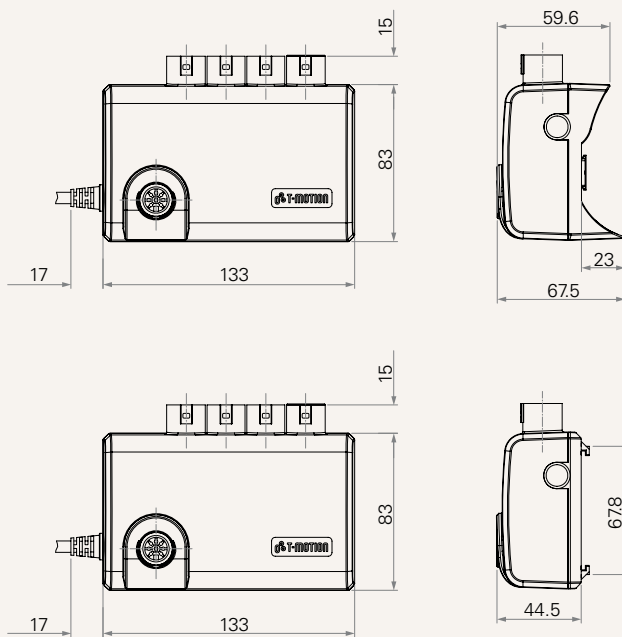
- **Comfort Motion**

General Features

Number of actuators	1~4
Color	Black or grey
Certificate	EMC

Drawing

Standard Dimensions
(mm)



TC3

Version: 20151007-E

Number of Actuators	1 = 1	2 = 2	3 = 3	4 = 4
----------------------------	-------	-------	-------	-------

Color	1 = Black	2 = Grey (Pantone428C)
--------------	-----------	------------------------

Cable Length (mm)	1 = Straight, 1000
--------------------------	--------------------

Terms of Use

The user is responsible for determining the suitability of TiMOTION products for a specific application. TiMOTION products are subject to change without prior notice.