

# TC8

series



## Product Segments

- **Care Motion**

## General Features

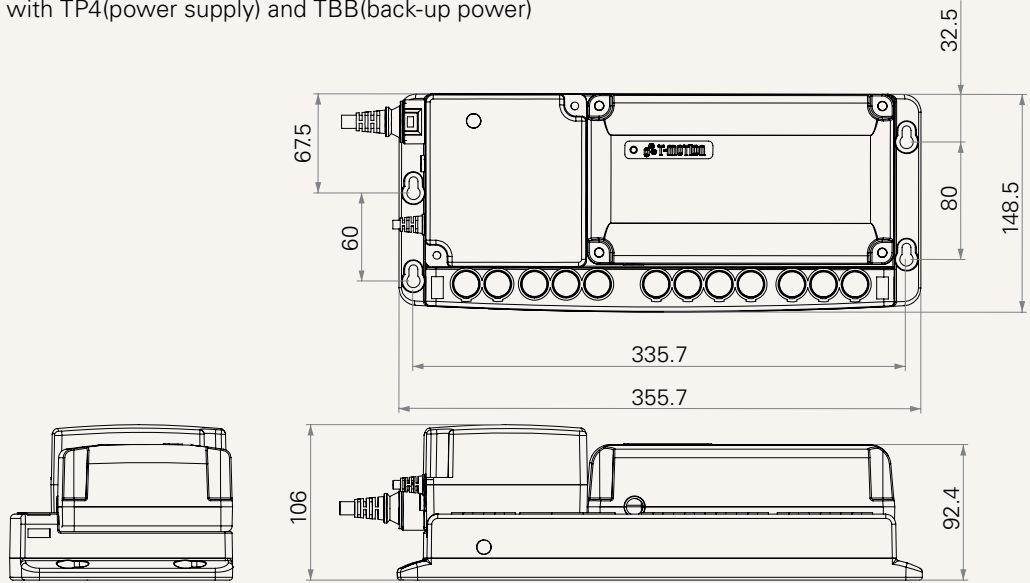
Number of actuators	1~7
Number of handsets	1~3
Color	Black or grey
IP rating	Up to IP66
Certificate	IEC60601-1, EN60601-1-2
Includes 3 modules	Control unit, power supply, and battery
T-BUS protocol available; compatible with various accessories of TiMOTION®	

**Drawing**

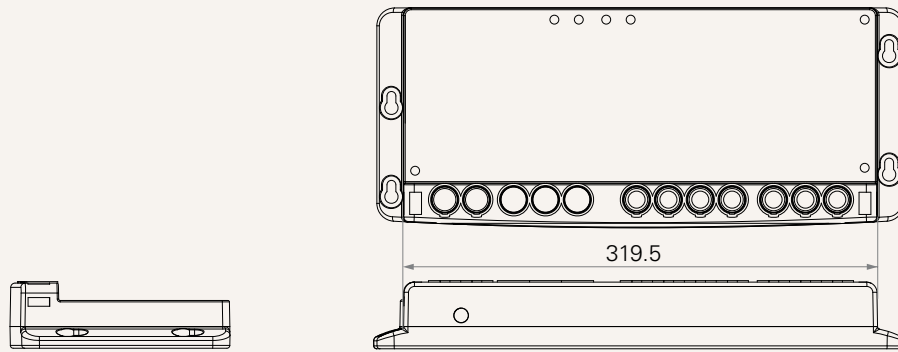
Standard Dimension

(mm)

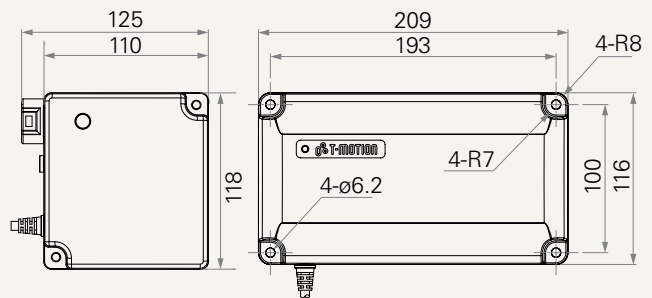
TC8 with TP4(power supply) and TBB(back-up power)

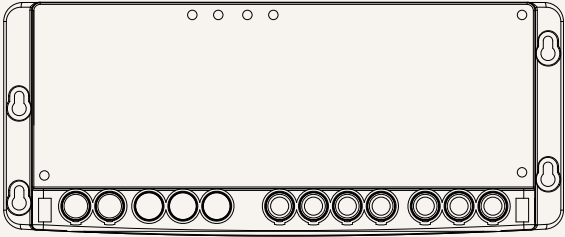


TC8 without TP4(power supply) and TBB(back-up power)



TP4(power supply) and TBB(back-up power)



<b>Number of Actuators</b>	1 = 1 2 = 2	3 = 3 4 = 4	5 = 5 6 = 6	7 = 7
<b>Handset Input</b>	1 = 1	2 = 2	3 = 3	
<b>Power Input</b>	0 = Without		1 = With	
<b>TBB Input</b>	0 = Without		1 = With (it has to use lead-acid battery which has charging management, e.g. TBB)	
<b>Color</b>	1 = Black		2 = Grey (Pantone 428C)	
<b>IP Rating</b>	1 = Without	2 = IP54	3 = IP66	
<b>Fixed Hole With Brass Nut Insert</b>	1 = With			
				
<b>With 24V Stable Output (Max. Support 6 Actuators)</b>	0 = Without		1 = With	

### Terms of Use

The user is responsible for determining the suitability of TiMOTION products for a specific application. TiMOTION products are subject to change without prior notice.