

# TDH13P

series



## Product Segments

- **Ergo Motion**

Featuring a sleek button layout, TDH13P is a simple yet classic hand control for height adjustable desks. It allows the user to set four preferred heights, and is equipped with a three-digit display. It can work with the Bluetooth adapter-TWD1, controlling the desk height remotely via the "STAND UP PLS" app. The exceptional design of its interface enhances the user experience. The color of TDH13P can be customized.

### General Features

- Maximum available buttons 6
- 3-digit display shows the height of the desk
- Memory functionality (4 settings)
- Compatible with the TWD1 (Bluetooth adapter)\*
- Mounted to the desk front side
- Multiple case colors
- Especially designed for adjustable height desk application

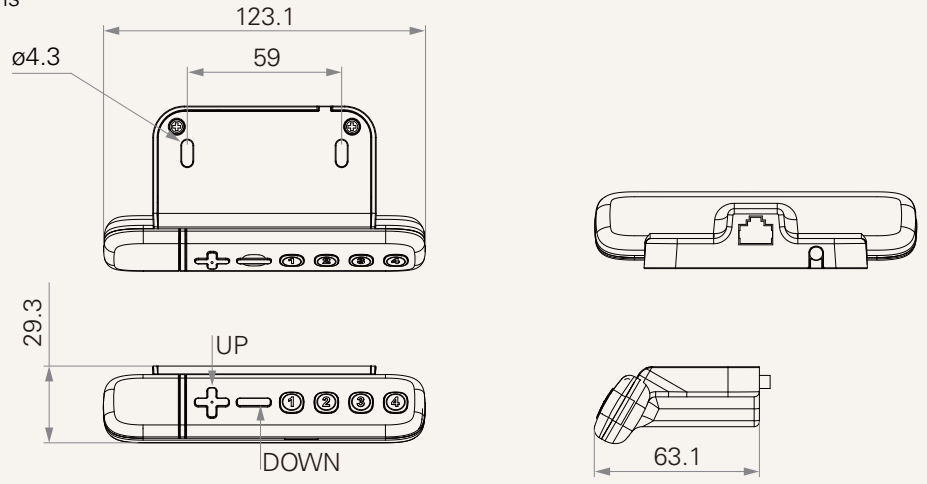
### Note

<sup>1</sup> With TWD1, it can control the desk height remotely via the "STAND UP PLS" app.

# TDH13P Series

## Drawing

Standard Dimensions  
(mm)



# TDH13P Ordering Key

TDH13P

Version: 20190416-B

<b>Plug</b>	1 = RJ 10P, 180°	6 = RJ 10P flat, 180°	
<b>Case Color</b>	1 = Black		
<b>Faceplate Color</b>	2 = Black	3 = White S	A = Customized
<b>Logo (Print)</b>	1 = Without	2 = TiMOTION	A = Customized
<b>Back Light</b>	0 = Without		
<b>Unit</b>	1 = Metric system (cm)	2 = Imperial system (inch)	
<b>Cable Length (mm)</b>	1 = Straight, 1000	2 = Straight, 2000	
<b>Anti-Pulling Tube</b>	0 = Without	1 = With	

## Terms of Use

The user is responsible for determining the suitability of TiMOTION products for a specific application. TiMOTION products are subject to change without prior notice.