

TDH16

series



Product Segments

- **Ergo Motion**

General Features

Maximum available buttons 2
Mounted under the tabletop
Compatible with the TWD1 (Bluetooth adapter)*

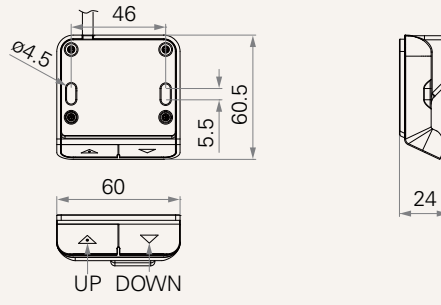
Note

¹ With TWD1, it can control the desk height remotely via the "STAND UP PLS" app.

TDH16 Series

Drawing

Standard Dimensions
(mm)



TDH16

Version: 20190401-B

Plug	6 = RJ 10P flat, 180°	
Case Color	1 = Black	
Button Icon	1 = + -	2 = ▼▲
Logo (Print)	1 = Without	
Cable Length (mm)	1 = Straight, 1000	2 = Straight, 2000
Anti-Pulling Tube	0 = Without	1 = With

Terms of Use

The user is responsible for determining the suitability of TiMOTION products for a specific application. TiMOTION products are subject to change without prior notice.