

# TDH2

series



## Product Segments

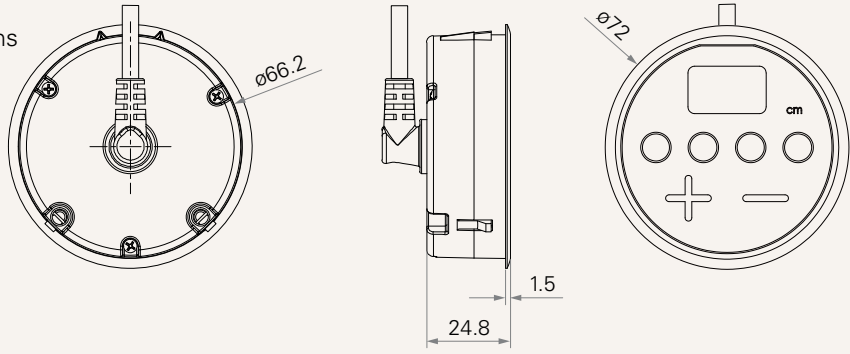
- **Ergo Motion**

## General Features

Maximum available buttons	6
Color	Black or grey
Option	Anti-pulling tube
3-digit display shows the height of the desk	
Memory functionality (3 settings)	
Flush mounted on the tabletop	
Especially designed for adjustable height desk application	

**Drawing**

Standard Dimensions  
(mm)



<b>Plug</b>	1 = RJ 10P, 180°	6 = RJ 10P flat, 180°		
<b>Case Color</b>	1 = Black	2 = Grey (Pantone Grey 7C)		
<b>Membrane Color</b>	1 = Black			
<b>Membrane Type</b>	1 = 1	3 = 3		
	Note: TDH2 does not support inch-display			
<b>Cable Length (mm)</b>	1 = Straight, 500	2 = Straight, 1000	3 = Straight, 1500	4 = Straight, 2000
<b>IP Rating</b>	1 = Without			
<b>Anti-Pulling Tube</b>	0 = Without	1 = With		

### Terms of Use

The user is responsible for determining the suitability of TiMOTION products for a specific application. TiMOTION products are subject to change without prior notice.