

# TDH8

series



## Product Segments

- **Ergo Motion**

TDH8 series features a lively design with a wide selection of outer ring colors. If none of the colors suits you, it is also possible to customize the color to fit your design. It can work with the Bluetooth adapter-TWD1, controlling the desk height remotely via the “STAND UP PLS” app.

### General Features

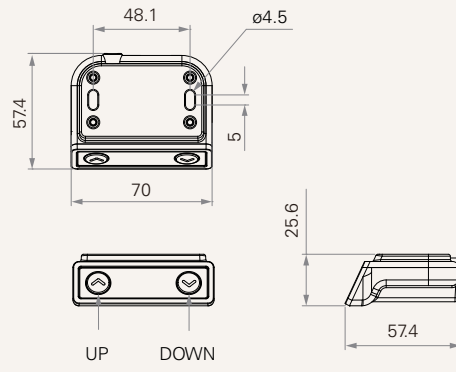
Maximum available buttons	2
Outer frame color	Silver or customized
Options	Frame color, back light
Compatible with the TWD1 (Bluetooth adapter)*	
Mounted to the desk front side	
Especially designed for adjustable height desk application	

### Note

<sup>1</sup> With TWD1, it can control the desk height remotely via the “STAND UP PLS” app.

**Drawing**

Standard Dimensions  
(mm)



## TDH8

Version: 20171211-A

<b>Plug</b>	1 = RJ 10P, 180°	6 = RJ 10P flat, 180°	
<b>Color</b>	1 = Black		
<b>Frame Color</b>	1 = Silver		
<b>Logo (Print)</b>	1 = Without	2 = TiMOTION	A = Customized
<b>Back Light</b>	0 = Without	1 = With, white	
<b>Unit</b>	0 = Without		
<b>Cable Length (mm)</b>	1 = Straight, 1000	2 = Straight, 2000	
<b>Anti-Pulling Tube</b>	0 = Without	1 = With	

### Terms of Use

The user is responsible for determining the suitability of TiMOTION products for a specific application. TiMOTION products are subject to change without prior notice.