

# TDH8P

series



## Product Segments

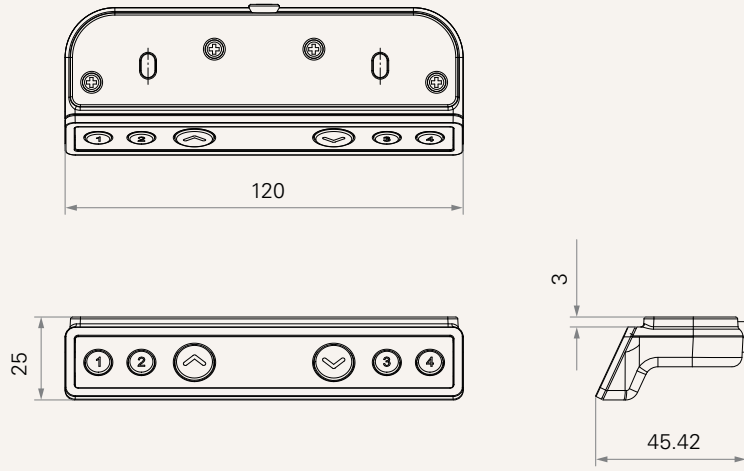
- **Ergo Motion**

## General Features

- Maximum available buttons 6
- Options Frame color, back light
- 3-digit display shows the height of the desk
- Memory functionality (4 settings)
- Mounted to the desk front side
- Especially designed for adjustable height desk application

**Drawing**

Standard Dimensions  
(mm)



<b>Plug</b>	1 = RJ 10P, 180°	6 = RJ 10P flat, 180°
<b>Case Color</b>	1 = Black	
<b>Frame Color</b>	1 = Silver: PANTONE 877 C 2 = Black: PANTONE 10399 C 3 = GOLD: PANTONE 8003 C	4 = GRAY: PANTONE 8403 C 5 = BLUE: PANTONE 8184 C 6 = GREEN: PANTONE 8743 C
<b>Logo (Print)</b>	1 = Without	2 = TiMOTION
<b>Back Light</b>	0 = Without	1 = With, white
<b>Unit</b>	1 = Metric system (cm)	2 = Imperial system (inch)
<b>Cable Length (mm)</b>	1 = Straight, 1000	2 = Straight, 2000
<b>Anti-pulling Tube</b>	0 = Without	1 = With

### Terms of Use

The user is responsible for determining the suitability of TiMOTION products for a specific application. TiMOTION products are subject to change without prior notice.