

# TDH9P

series



## Product Segments

- **Ergo Motion**

TDH9P allows the user to set four preferred heights, and is equipped with a three-digit display. It can work with the Bluetooth adapter - TWD1, controlling the desk height remotely via the "STAND UP PLS" app. The intuitive design of its button interface enhances the user experience.

### General Features

Maximum available buttons	6
Color	Black or customized
Options	Backlight
3-digit display shows the height of the desk	
Memory functionality (4 settings)	
Compatible with the TWD1 (Bluetooth adapter)*	
Mounted to the desk front side	
Especially designed for adjustable height desk application	

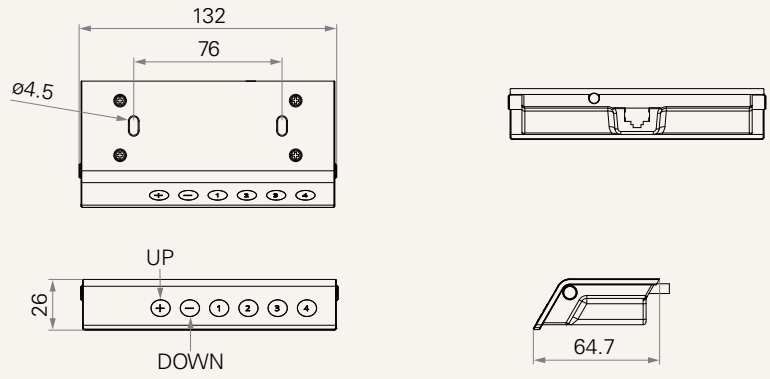
### Note

<sup>1</sup> With TWD1, it can control the desk height remotely via the "STAND UP PLS" app.

# TDH9P Series

## Drawing

Standard Dimensions  
(mm)



## TDH9P

Version: 20180410-A

<b>Plug</b>	6 = RJ 10P flat, 180°		
<b>Case Color</b>	1 = Black		
<b>Light</b>	1 = With (Color: Blue)	2 = With (Color: customized)	
<b>Logo (Print)</b>	1 = Without	2 = TiMOTION	A = Customized
<b>Unit</b>	1 = Metric system (cm)	2 = Imperial system (inch)	
<b>Cable Length (mm)</b>	1 = Straight, 1000	2 = Straight, 2000	
<b>Anti-Pulling Tube</b>	0 = Without	1 = With	

### Terms of Use

The user is responsible for determining the suitability of TiMOTION products for a specific application. TiMOTION products are subject to change without prior notice.