

# TFH2

series



---

## Product Segments

- **Comfort Motion**

---

Maximum available buttons

2

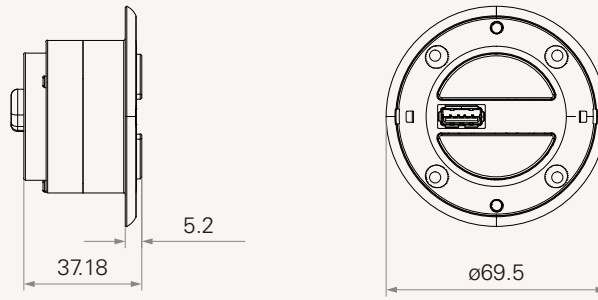
Option

Back light, USB charging socket

Embedded into the recliner directly

**Drawing**

Standard Dimensions  
(mm)



## TFH2

Version: 20150317-A

<input type="checkbox"/>	<b>Back Light</b>	0 = Without	1 = With
<input type="checkbox"/>	<b>Number of Actuators</b>	1 = 1	
<input type="checkbox"/>	<b>Plug</b>	1 = DIN 5pin, 90° plug	A = Customized
<input type="checkbox"/>	<b>Color</b>	1 = Black	
<input type="checkbox"/>	<b>Cable Length</b>	1 = Straight, 1500mm	2 = Straight, 2000mm A = Customized
<input type="checkbox"/>	<b>USB Charging Socket</b>	1 = With	

---

### Terms of Use

The user is responsible for determining the suitability of TiMOTION products for a specific application. TiMOTION products are subject to change without prior notice.