

TFH30

series



Product Segments

- **Comfort Motion**

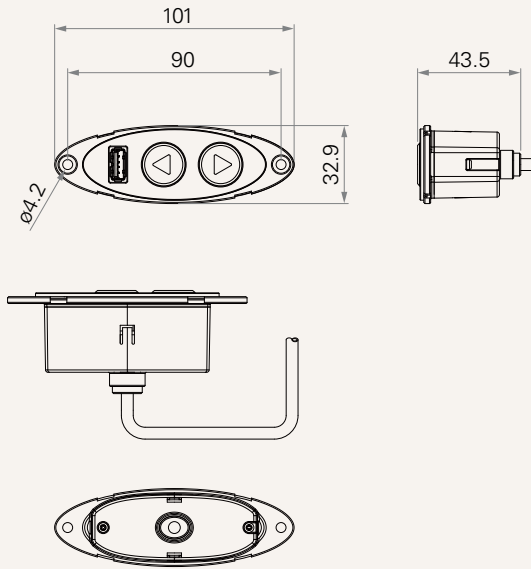
General Features

Maximum available buttons	2
Color	Black
Options	USB charging socket
Designed for relaxing bed or recliner applications	

TFH30
Series

Drawing

Standard Dimensions
(mm)



MCU	0 = Without		
Communication Type	1 = Direct cut		
Number of Actuator	1 = 1		
Button Definition	21 = XX		
Button Icon	0 = Blank	2 = ← →	
Charging Port	0 = Without	1 = USB charging port	
Plug	2 = Short DIN 5P	3 = Long DIN 5P	
Plug Angle	1 = 90°	2 = 180°	
Cable Length (mm)	0 = Without	2 = Straight, 1500	4 = Straight, 4000
	1 = Straight, 1000	3 = Straight, 2000	
Color	1 = Black		
IP Rating	1 = Without		

Terms of Use

The user is responsible for determining the suitability of TiMOTION products for a specific application. TiMOTION products are subject to change without prior notice.