

TFH6

series



Product Segments

- **Comfort Motion**

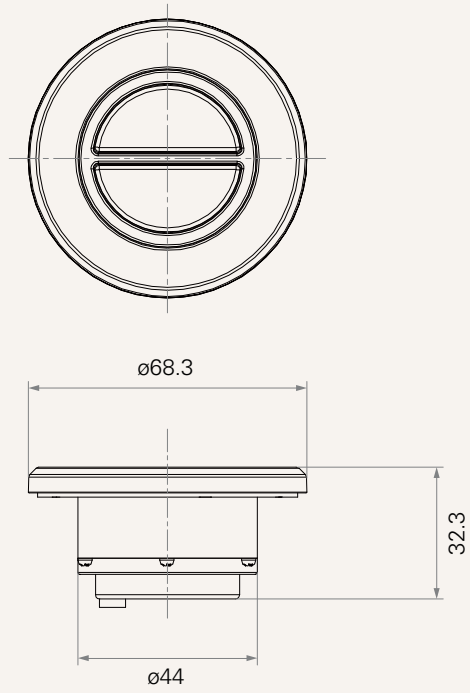
Maximum available buttons 2

Metal made

Embedded into the recliner directly

Drawing

Standard Dimensions
(mm)



TFH6

Version: 20140402-A

Plug	1 = DIN 5pin, for TDC 2 = DIN 8pin, for TC2/TC3/TC7 4 = DIN 8pin, 180° for extension cable Note : Please choose "switch type" or "scan type" then make a notification when place an order	5 = RJ 10pin, 180° for TC6/TC9/extension cable A = Customized	
Color	1 = Black		
Top Cover Material	1 = Steel with ZN plating (outer frame + buttons + inner frame) 2 = Steel with ZN plating and plastic with painting (Steel with ZN plating outer frame and buttons + plastic with painting inner frame)		
Cable Length	1 = Straight, 1500mm	2 = Straight, 2000mm	A = Customized

Terms of Use

The user is responsible for determining the suitability of TiMOTION products for a specific application. TiMOTION products are subject to change without prior notice.