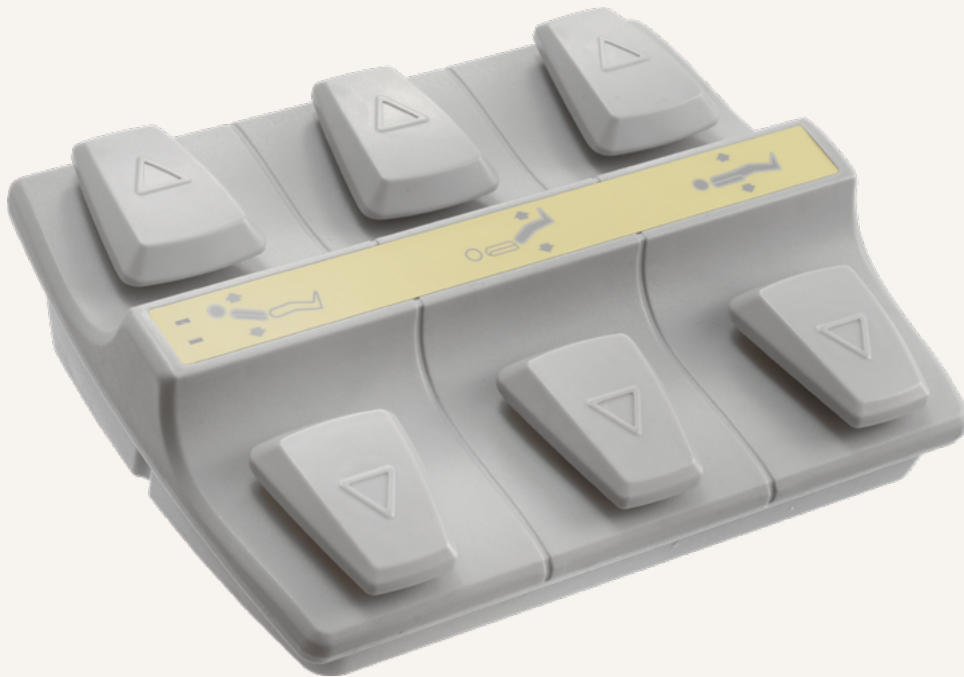


TFS2

series



Product Segments

- **Care Motion**
- **Industrial Motion**

General Features

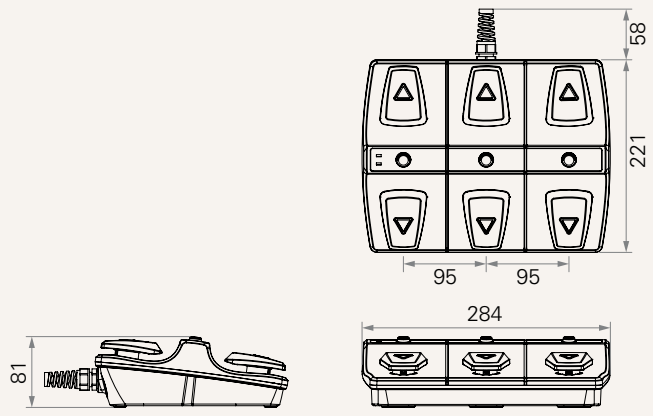
Foot switch for medical application

Maximum available buttons 6

IP rating Up to IP66

Drawing

Standard Dimensions
(mm)



Number of Buttons	4 = 4	6 = 6	
Safety Switch	0 = Without	1 = With	
Plug	1 = DIN 5P, for TDC 2 = DIN 8P, for TC2,TC3,TC7 4 = DIN 8P, 180°, for extension cable	5 = RJ 10P, 180°, for extension cable 6 = RJ 10P, 90°, for TC1, TC6, TC8, TC9, TC10, TC14 7 = RJ 10P, 180°, for TC11, TC15, TC16	
Color (Upper & Lower Cover)	1 = Black	2 = Grey (Pantone 428C)	
Color (Buttons)	1 = Black	2 = Grey (Pantone 428C)	
Ip Rating	1 = Without	2 = IP54	3 = IP66
Cable Length (mm)	1 = Straight, 1000	2 = Straight, 1500	

Terms of Use

The user is responsible for determining the suitability of TiMOTION products for a specific application. TiMOTION products are subject to change without prior notice.