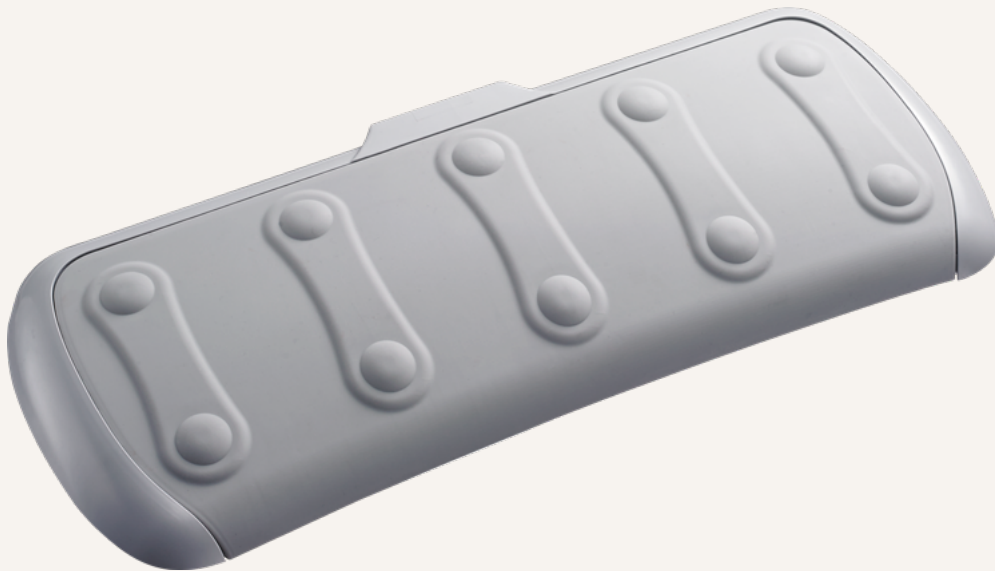


# TFS6

series



---

## Product Segments

- **Care Motion**
- **Industrial Motion**

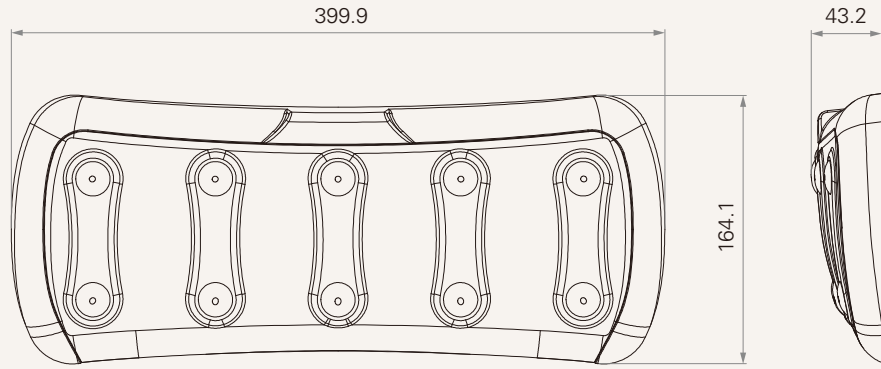
---

## General Features

|                           |                           |
|---------------------------|---------------------------|
| Color                     | Black or grey             |
| Maximum available buttons | 10                        |
| IP rating                 | Up to IP66                |
| Options                   | Wireless or cable control |

**Drawing**

Standard Dimensions  
(mm)



|                                |   |                                    |   |                       |
|--------------------------------|---|------------------------------------|---|-----------------------|
| <b>Connection</b>              | 0 = Wireless (Frequency: 2.4G)  |                                    | 1 = Cable (Standard: straight, 1000mm)  |                       |
| <b>Plug</b>                    | 0 = Without<br>(wireless version)   | 1 = DIN 8P, 90°<br>2 = RJ 10P, 90° | 4 = DIN 8P, 180°<br>5 = RJ 10P, 180°  | 6 = Flat RJ 10P, 180° |
| <b>Colort</b>                  | 1 = Black   | 2 = Grey (Pantone 428C)            |   |                       |
| <b>Button Definition</b>       | 01-03 = See appendix*<br>Note: please contact TiMOTION before making an order   |                                    |   |                       |
| <b>Buttons</b>                 | 1 = 4   | 2 = 6                              | 3 = 8   | 4 = 10                |
| <b>Number of Actuators</b>     | 1 = 1   | 2 = 2                              | 3 = 3   | 4 = 4                 |
| <b>Built-in Backup Battery</b> | 0 = Without battery shrapnel, without battery<br>1 = With battery shrapnel, with battery (2*AAA 1.5V dry batteries)<br>2 = With battery shrapnel, without battery |                                    |   |                       |
| <b>IP Rating</b>               | 1 = Without   | 2 = IP54                           | 3 = IP66  |                       |
| <b>Control Box Type</b>        | 0 = Without MCU + Without MCU control box<br>1 = Without MCU + With MCU control box   |                                    | 2 = With MCU + Without MCU control box<br>3 = With MCU + With MCU control box |                       |

### Terms of Use

The user is responsible for determining the suitability of TiMOTION products for a specific application. TiMOTION products are subject to change without prior notice.