

# TH6

series



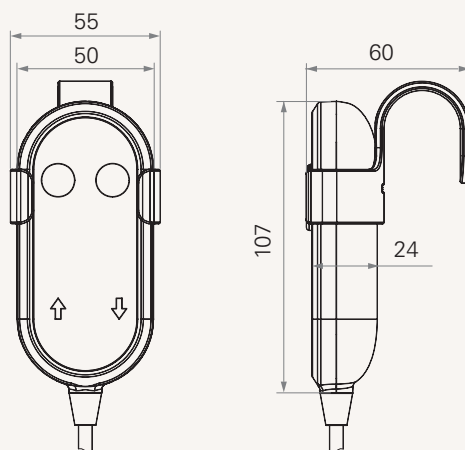
Product Segments

• **Comfort Motion**

Connected actuators	1~2
Maximum available buttons	4
Color	Black or grey
Screw-free hook	
LED indication	

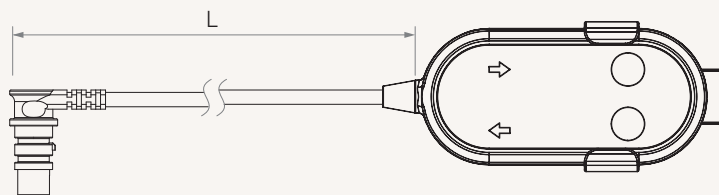
**Drawing**

Standard Dimensions  
(mm)

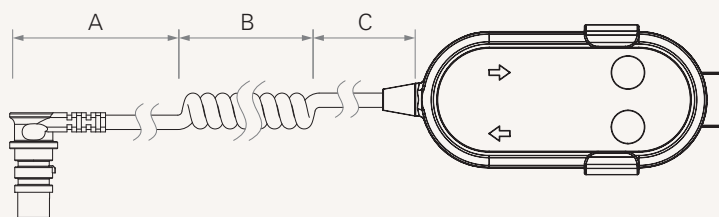


**Dimensions with Cable Length**

Code 1



Code 2



**Cable Length (mm)**

**CODE**

1	Straight, L=1500
2	Coiled, A=1000, B=200, C=200

## TH6

Version: 20150601-J

<input type="checkbox"/>	<b>Number of Actuators</b>	1 = 1	2 = 2
<input type="checkbox"/>	<b>Plug</b>	1 = DIN 5pin, for TDC 2 = DIN 8pin, for TC2/TC3/TC7 3 = Short DIN 5pin, 90°, for direct cut system	4 = DIN 8pin, 180°, for extension cable 5 = RJ 10pin, 180°, for TC6/TC9/extension cable
<input type="checkbox"/>	<b>Color</b>	1 = Black	2 = Grey (Pantone 428C)
<input type="checkbox"/>	<b>Safety Key</b>	0 = Without	1 = With
<input type="checkbox"/>	<b>Key Definition</b>	01~12 = See appendix* Note : please contact TiMOTION before making an order	1 = Customized
<input type="checkbox"/>	<b>Cable Length</b>	1~2 = See page 2	
<input type="checkbox"/>	<b>Control Box Type</b>	0 = Without MCU, with control box without MCU	1 = Without MCU, with control box with MCU
<input type="checkbox"/>	<b>Hook Type</b>	0 = Without	1 = Standard

### Terms of Use

The user is responsible for determining the suitability of TiMOTION products for a specific application. TiMOTION products are subject to change without prior notice.