

TMH1

series



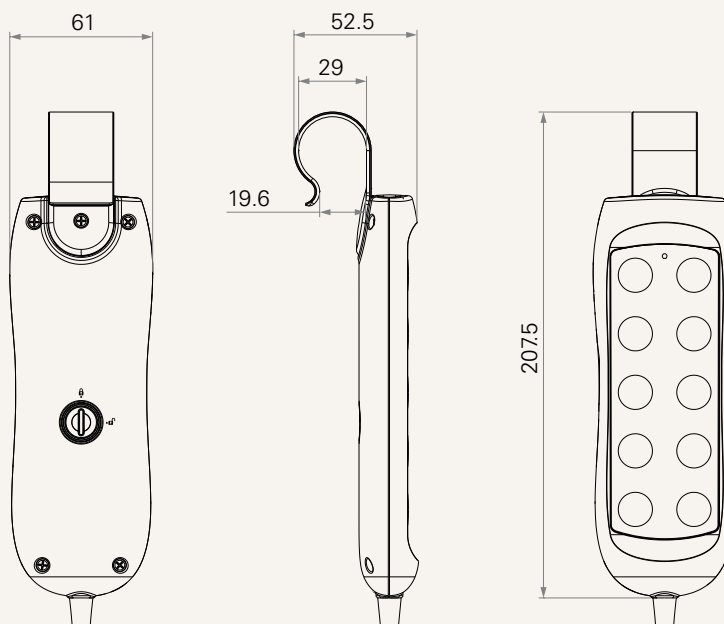
Product Segments

- **Care Motion**

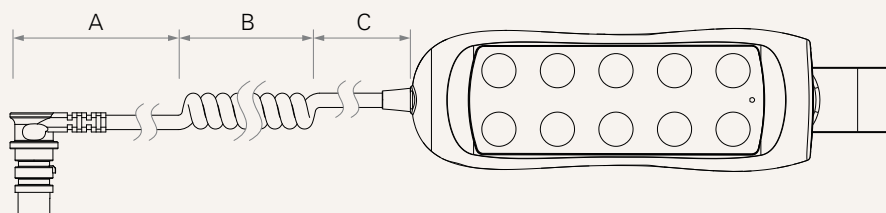
Connected actuators	1~4
Maximum available buttons	10
Color	Grey
IP rating	Up to IP66
With safety key, hook, and flash light	
Compatible with TNC series, used as a nurse calling system	

Drawing

Standard Dimensions
(mm)



Dimension with Cable Length



Cable Length (mm)

CODE	A	B	C
1	1000	300	200
2	1200	300	300
3	1400	300	400
4	2400	0	0
5	0	600	0
6	1000	200	200

Built-in MCU	0 = Without	1 = With		
Compatible Control Box Type	0 = Without MCU	1 = With MCU		
Actuator Channels	1 = 1	2 = 2	3 = 3	4 = 4
Buttons Definition	01 = See appendix* Note : please contact TiMOTION before making an order			
Flash Light	0 = Without	1 = With		
Safety Lock	1 = "—" Type1	2 = "▲" Type2, with safety key		
Connector Type	3 = DIN 8pin	4 = RJ 10pin		
Connector Angle	1 = 90°	2 = 180°		
Cable Length	1~6 = See page 2			
Color	4 = Standard (Cover 428C, safety key & hook 285C)			
Hook	1 = Type 1, standard			
IP Rating	2 = IP54	3 = IP66		

Terms of Use

The user is responsible for determining the suitability of TiMOTION products for a specific application. TiMOTION products are subject to change without prior notice.