

TMH13

series



Product Segments

- **Care Motion**

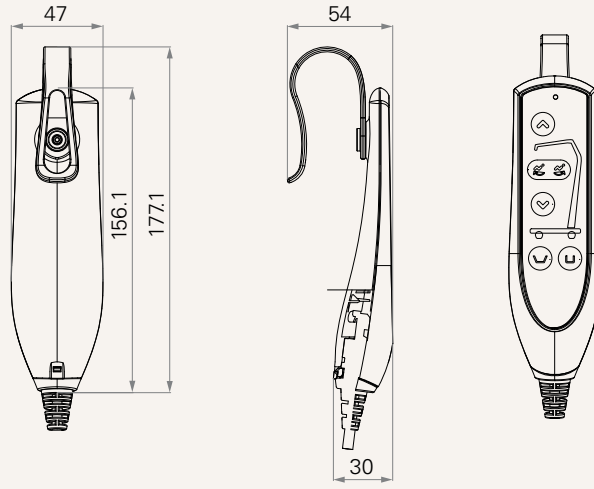
The TMH13 is a newly designed hand control particularly for patient hoist applications. Unlike the TH10 and TMH3 (handsets for patient lifting system), its slim and compact design enhances the user experiences. Its IP rating is up to IP66W and the handset supports a maximum of 7 buttons.

General Features

Connected actuators	1~3
Maximum available buttons	7
Color	White, grey
IP rating	Up to IP66W
Option	Hook
Used for patient hoist system	

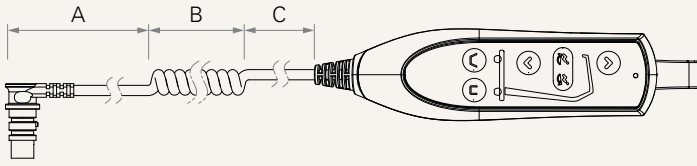
Drawing

Standard Dimensions
(mm)



MCU	0 = Without	1 = With	
Control Box Type	0 = Without MCU control box		1 = With MCU control box
PCBA	1 = General	2 = Power saving function	
Button Definition	See appendix* Note: please contact TIMOTION before making an order		
Backlight	0 = Without		
Safety Key	0 = Without		
Plug	3 = DIN 8P	4 = RJ 10P	
Plug Angle	1 = 90°	2 = 180°	
Cable Length (mm)	0~8 = 0~8 See page 4		
Color	2 = Grey (Pantone 428C)	3 = White (White S)	
Hook Type	0 = Without	1 = Standard	4 = Magnetic hook
IP Rating	2 = IP54	3 = IP66	4 = IP66W

Cable Length



Cable Section (mm)

CODE	A	B	C
0	0	0	0
1	1000	0	0
2	1500	0	0
3	2000	0	0
4	4000	0	0
5	1000	300	200
6	1200	300	300
7	1400	300	400
8	1000	200	200

Terms of Use

The user is responsible for determining the suitability of TiMOTION products for a specific application. TiMOTION products are subject to change without prior notice.