

TMH19

series



Product Segments

- **Care Motion**

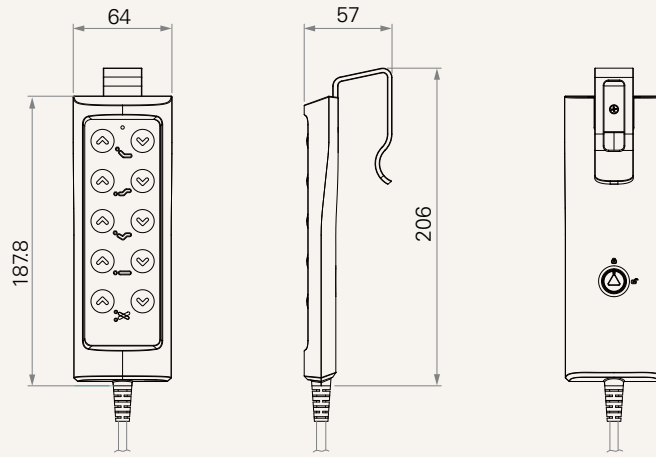
General Features

Connected actuators	1~5
Maximum available buttons	10
Color	Gray
IP rating	Up to IP66
Options	Back light, safety key, hook

TMH19 Series

Drawing

Standard Dimensions
(mm)



MCU	0 = Without		
TC Communication	1 = With MCU control box		
Communication Type	4 = Double scan		
PCBA	1 = General	2 = Power saving function	
Number of Actuator	1 = 1 2 = 2	3 = 3 4 = 4	5 = 5
Button Definition	XX = XX Note: please contact TiMOTION before making an order		
Backlight	0 = Without		
Safety Lock	0 = Without	1 = With	
Plug Type	4 = DIN 8P	5 = RJ 10P	
Plug Angle	1 = 90°	2 = 180°	
Cable Length (mm)	1 = Straight, 1000 2 = Straight, 1500 3 = Straight, 2000 4 = Straight, 4000	5 = Curly, A:1000; B:300; C:200 6 = Curly, A:1200; B:300; C:300 7 = Curly, A:1000; B:200; C:200	
Outer Cover Color	2 = Grey (Pantone 428C)		
Hook	0 = Without	5 = Standard	
IP Rating	1 = Without	2 = IP54	3 = IP66

Terms of Use

The user is responsible for determining the suitability of TiMOTION products for a specific application. TiMOTION products are subject to change without prior notice.