

# TMH3

series



## Product Segments

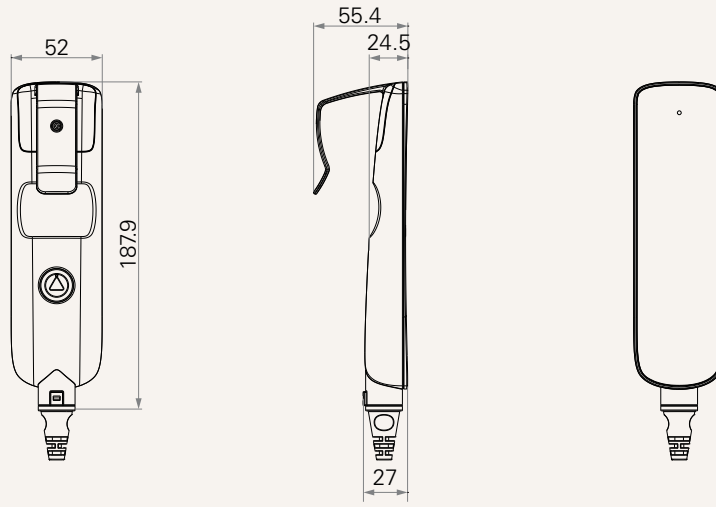
- **Care Motion**

### General Features

Connected actuators	1~4
Maximum available buttons	6
Color	Black or gray
IP rating	Up to IP66
With safety key and hook	
Compatible with control boxes - TC12 or TC20, used for patient hoist system	

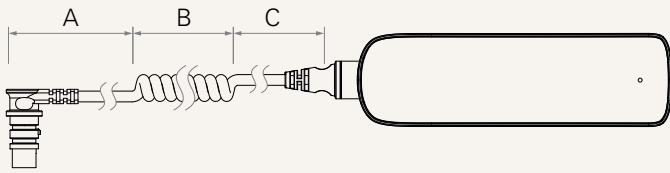
**Drawing**

Standard Dimensions  
(mm)



<b>MCU</b>	0 = Without	1 = With		
<b>Control Box Type</b>	0 = Without MCU control box 1 = With MCU control box			
<b>Operating Actuator Number</b>	1 = 1	2 = 2	3 = 3	4 = 4
<b>Button Definition</b>	See appendix* Note: please contact TiMOTION before making an order			
<b>Safety Key</b>	0 = Without	1 = With		
<b>Plug</b>	3 = DIN 8pin	4 = RJ 10pin		
<b>Plug Angle</b>	1 = 90°	2 = 180°		
<b>Cable Length (mm)</b>	0~A = <a href="#">See page 4</a>			
<b>Color</b>	1 = Black	2 = Grey (Pantone 428C)		
<b>Hook</b>	1 = Standard			
<b>Ip Rating</b>	2 = IP54	3 = IP66		

## Cable Length (mm)



CODE	Part A	Part B	Part C
0	0	0	0
1	1000	0	0
2	1500	0	0
3	2000	0	0
4	4000	0	0
5	1000	300	200
6	1200	300	300
7	1400	300	400
8	1000	200	200

## Terms of Use

The user is responsible for determining the suitability of TiMOTION products for a specific application. TiMOTION products are subject to change without prior notice.