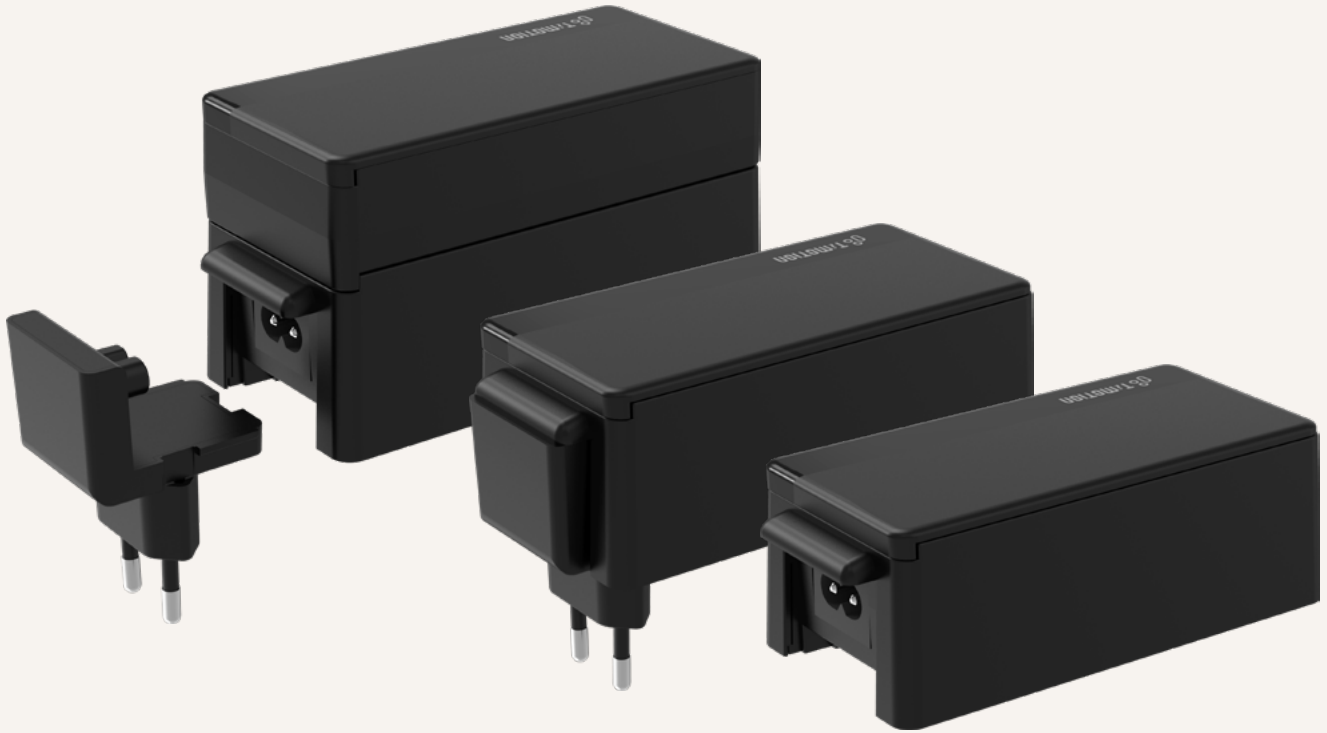


TP11

series



Product Segments

- **Comfort Motion**

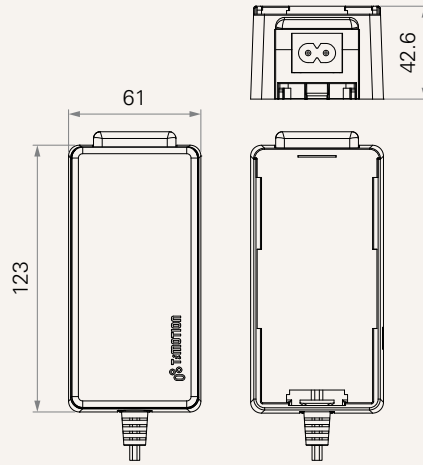
The TP11 is a unique power supply with an optional battery pack in addition to the AC power source. The battery pack will recharge automatically when connected to the AC power. The TP11 is equipped with a SMPS transformer and provides optional universal plugs. Customers can easily change the AC plugs when being used in different countries.

General Features

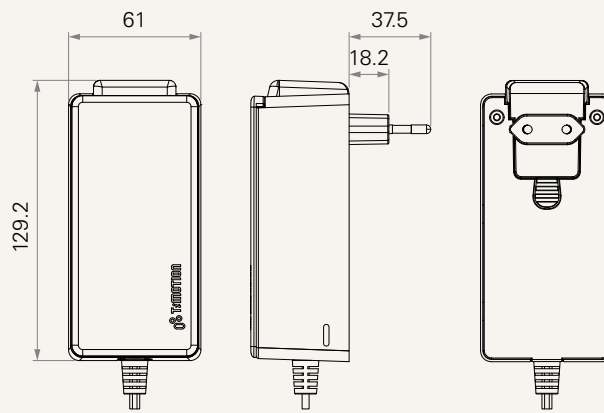
Transformer type	SMPS
Input voltage	100~240V AC
Maximum output	29V DC, 1.8A
Plug support	EU, USA, AUS, UK
Color	Black
Options	Multiple wall mount plugs, backup battery

Drawing

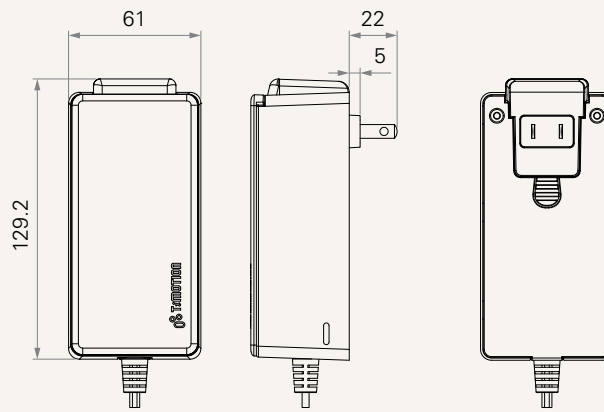
Standard Dimensions
(mm)



AC Plug - EU
(mm)

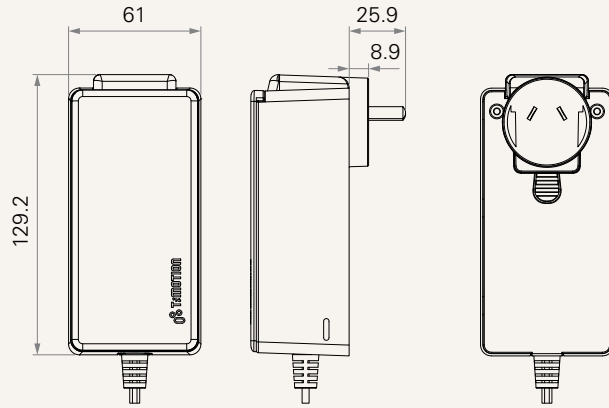


AC Plug - US
(mm)

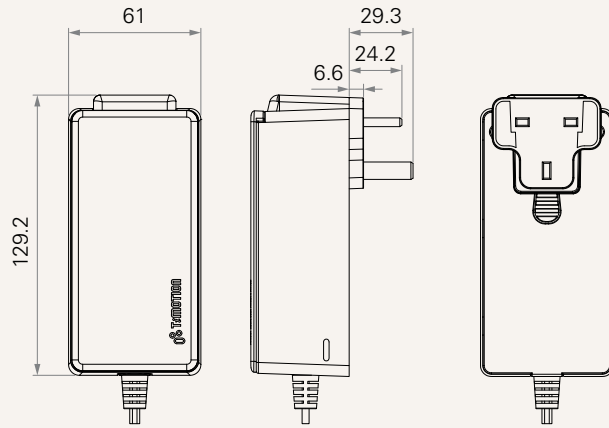


Drawing

AC Plug - AU
(mm)



AC Plug - UK
(mm)



AC plug	0 = Without 1 = EU	2 = US 3 = AU	4 = UK	
AC Input Connector (mm)	0 = Without W = Wall mount plug	1 = Straight cable, 1000 2 = Straight cable, 2000	3 = Straight cable, 3000	
AC Plug / Cable Angle	0 = Without	1 = 90°	2 = 180°	
DC Output Connector (Socket)	1 = Long DIN 5P	2 = Small 01P		
DC Output Cable Length (mm)	0 = Without	1 = Straight, 1000	2 = Straight, 2000	3 = Straight, 3000
Backup Battery Pack	0 = Without 2 = Two 9V battery connection ports, with two 9V batteries 3 = 3* 9V dry battery pack	4 = Two 9V battery connection ports, without battery 5 = Three 9V battery connection ports, without battery 7 = Li-ion battery pack		
Color	1 = Black			
IP rating	1 = Without			

Terms of Use

The user is responsible for determining the suitability of TiMOTION products for a specific application. TiMOTION products are subject to change without prior notice.