

TP6

series



Product Segments

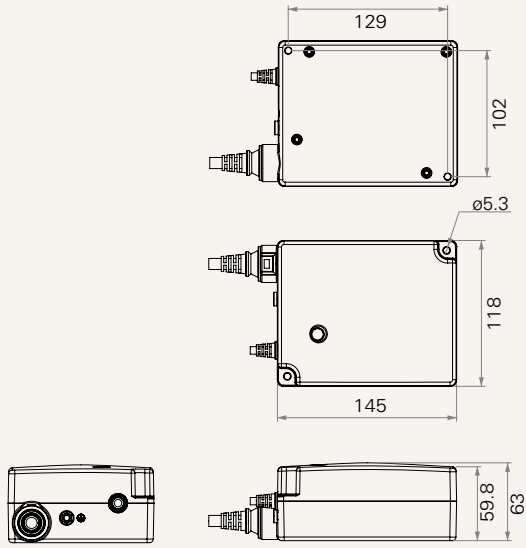
- **Care Motion**

General Features

| | |
|------------------|-----------------------|
| Transformer type | SMPS |
| Input voltage | 100~240V AC |
| Maximum output | 31.5V DC, 5A |
| Plug support | EU, USA, AUS, UK, JPN |
| Color | Black or grey |
| IP rating | Up to IP66 |
| Certificate | ES60601-1, IEC60601-1 |

Drawing

Standard Dimensions
(mm)



TP6 Ordering Key

TP6

Version: 20130510-B

| | | | |
|---------------------------|--|-------------------------|---------|
| Plug | 1 = EU 2 = USA | 3 = AUS 4 = UK | 5 = JPN |
| Color | 1 = Black | 2 = Grey (Pantone 428C) | |
| Cable Length (mm) | 1 = AC cable: straight, 4000; DC cable: straight, 150 (mount on TC8) 2 = AC cable: straight, 2000; DC cable: straight, 1000 3 = AC cable: straight, 4000; DC cable: straight, 1000 | | |
| Grounding Function | 0 = Without | 1 = With | |

Terms of Use

The user is responsible for determining the suitability of TiMOTION products for a specific application. TiMOTION products are subject to change without prior notice.