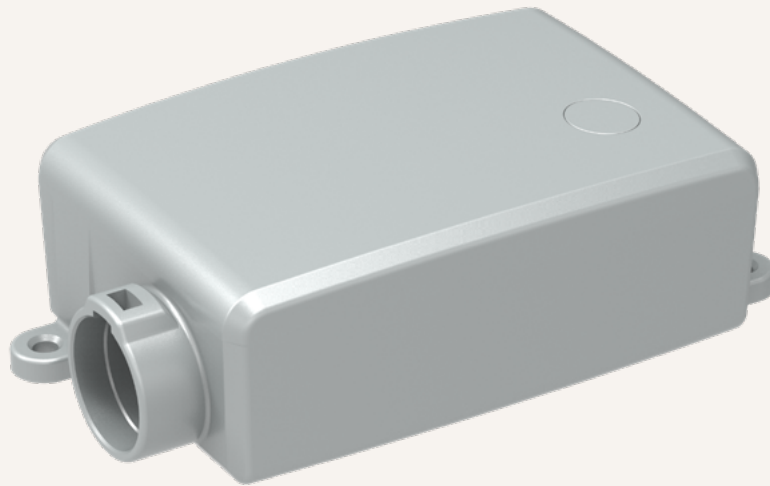


TP9

series



Product Segments

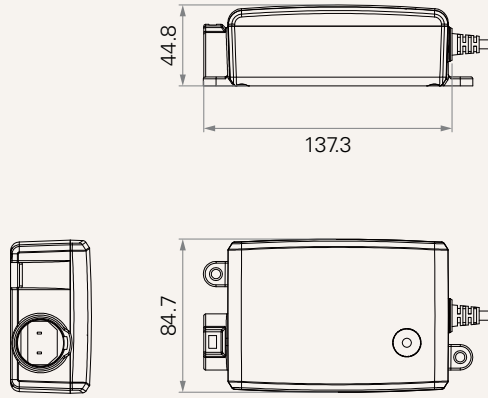
- **Care Motion**

General Features

Transformer type	SMPS
Input voltage	100~240V AC
Maximum output	29V DC, 2.5A
Plug support	EU, USA, AUS, UK, JPN
Color	Black or grey
IP rating	Up to IP66
Certificate	IEC60601-1-2, IEC60601-1, ES60601-1, PSE

Drawing

Standard Dimensions
(mm)



Plug	1 = EU	3 = AUS	5 = JPN
	2 = USA	4 = UK	A = Other

Color	1 = Black	2 = Grey (Pantone 428C)
--------------	-----------	-------------------------

Cable Length (mm)	1 = AC cable: straight, 2000; DC cable: straight, 1000, DIN 5pin socket		
	2 = AC cable: straight, 2000; DC cable: straight, 1000, 01 socket		
	3 = AC cable: straight, 500; DC cable: straight, 3500, DIN 5pin socket		
	4 = AC cable: straight, 500; DC cable: straight, 3500, 01 socket		

IP Rating	1 = Without	2 = IP54	4 = IP66
------------------	-------------	----------	----------

Terms of Use

The user is responsible for determining the suitability of TiMOTION products for a specific application. TiMOTION products are subject to change without prior notice.